

YAMAHA

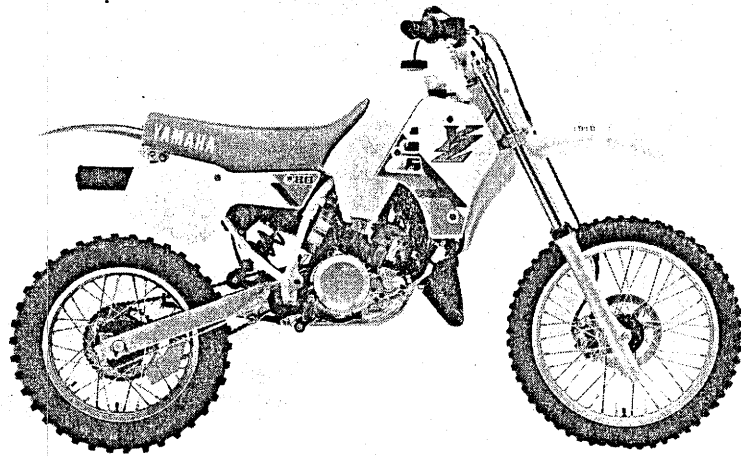
PARTS CATALOGUE

YZ80D (3MK4/3MM4)

U.S.A., CANADA,
NEWZEALAND, S.AFRICA

|23MK-100E1

A2



A3

FOREWORD

This Parts Catalogue is related to the parts in use for the Yamaha YZ80D(3MK4/3MM4). When you are ordering replacement parts for the YZ80D(3MK4/3MM4), refer to this Parts Catalogue and quote both part numbers and part names correctly.

1. Modifications or additions which have been made after issue of the Parts Catalogue will be announced in the Yamaha Parts News.
It is advisable that according to the Yamaha Parts News you make necessary corrections to the Parts Catalogue on hand to keep it up-to-date.

2. Abbreviations

The following abbreviations are used in this Parts Catalogue.

- U.R. Use size (thickness) and/or number as required.
- U.N. Use as many as you need.
- A.P. Alternate Parts
- L.M. Local Made
- F# Frame No. (Applicable machine No.)

3. The parts marked with (*) in the parts number column of this Catalogue are not supplied with by Yamaha, those have to be found locally.
4. Parts, which are to be supplied in the form of assemblies, are listed with an indention of one letter's space, and a dot (.) is put against the name of each part.

EXAMPLE CARBURETOR ASS'Y
 . JET, pilot
 . NOZZLE, main

5. Indication of No. of constituent parts for assembly

The numeral appearing to the right of each constituent part under the description indicates the quantity of such parts for each individual assembly unit.

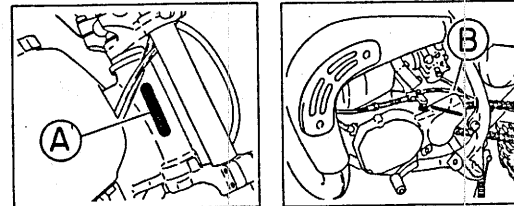
EXAMPLE

| Part No. | Description | Q'ty | Remarks |
|--------------|---------------------------|------|---------|
| 2F5-83310-60 | FRONT FLASHER LIGHT ASS'Y | 2 | |
| 115-83311-60 | . BULB (6V-18W) | 1 | |
| 1M1-83309-60 | . REFLECTOR | 1 | |

6. Initial Serial No. and Color Code

| | | |
|------|-----------------------|--------------------------|
| 3MK4 | (A) Frame Serial No. | 3MK-005101 and following |
| | (B) Engine Serial No. | 3MK-005101 and following |

| | | |
|------|-----------------------|--------------------------|
| 3MM4 | (A) Frame Serial No. | 3MM-004101 and following |
| | (B) Engine Serial No. | 3MM-004101 and following |



| Color Code | Color Name | Abbreviate |
|------------|------------------------|------------|
| 0206 | PURPLISH WHITE SOLID 1 | PWS 1 |

7. Applicable colors of graphics are represented in the "Remarks" column by the letter(s) appropriately picked out of the full word(s) showing such colors.

EXAMPLE

| Part No. | Description | Q'ty | Remarks |
|-----------------|--------------------------|------|-----------|
| 2N4-24110-00-X5 | FUEL TANK COMP. | 1 | MAXIM RED |
| 3J1-24240-10 | . GRAPHIC, fuel tank set | 1 | for MXR |

CONTENTS

ENGINE

| | |
|--------------------------|---------|
| Cylinder | B2 |
| Crankshaft. Piston | B3 |
| Water Pump | B4 |
| Radiator. Hose | B5 |
| Intake | B6 ~ B7 |
| Carburetor | B8 ~ B9 |
| Exhaust | B10 |
| Crankcase | B11 |
| Crankcase Cover 1 | B12 |
| Starter | B13 |
| Clutch | B14 |
| Transmission | B15 |
| Shift Cam. Fork | C2 |
| Shift Shaft | C3 |

CHASSIS

| | |
|------------------------------|-----------|
| Frame | C4 |
| Fender | C5 |
| Side Cover | C6 |
| Rear Arm | C7 ~ C8 |
| Rear Suspension | C9 |
| Steering | C10 |
| Front Fork | C11 ~ C12 |
| Fuel Tank | C13 ~ C14 |
| Seat | C15 |
| Front Wheel | D2 |
| Front Brake Caliper | D3 |
| Rear Wheel | D4 ~ D5 |
| Steering Handle. Cable | D6 |

| | |
|-----------------------------|---------|
| Front Master Cylinder | D7 |
| Stand. Footrest | D8 ~ D9 |
| Generator | D10 |
| Handle Switch. Lever | D11 |
| Electrical 1 | D12 |

ALTERNATE PARTS

| | |
|-----------------------------|-----|
| Alternate 1 (Chassis) | D13 |
|-----------------------------|-----|

REPAIR KIT

| | |
|------------------|-----|
| Repair Kit | D14 |
|------------------|-----|

INDEX

| | |
|-----------------------|---------|
| Numerical Index | M1 ~ M3 |
|-----------------------|---------|

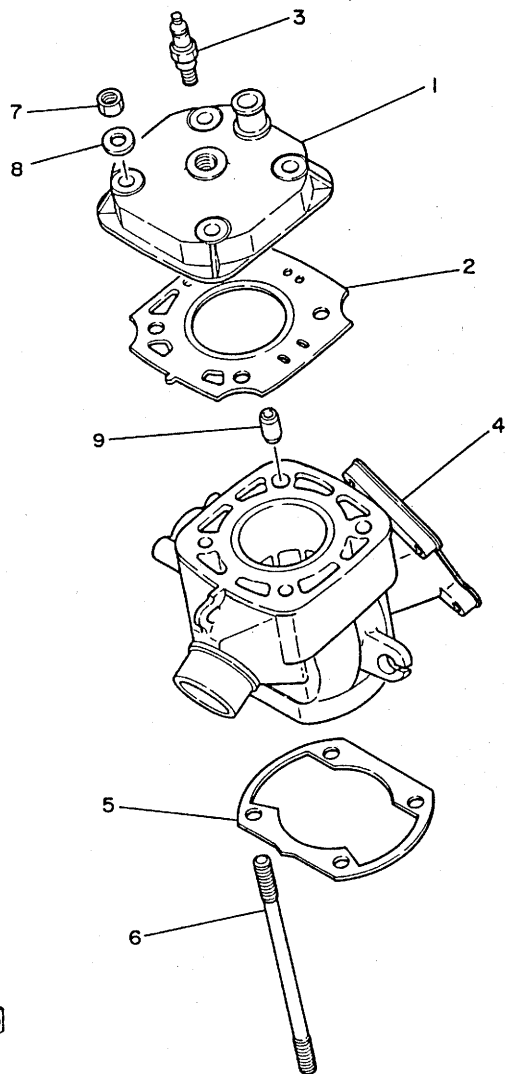


FIG. 1 CYLINDER

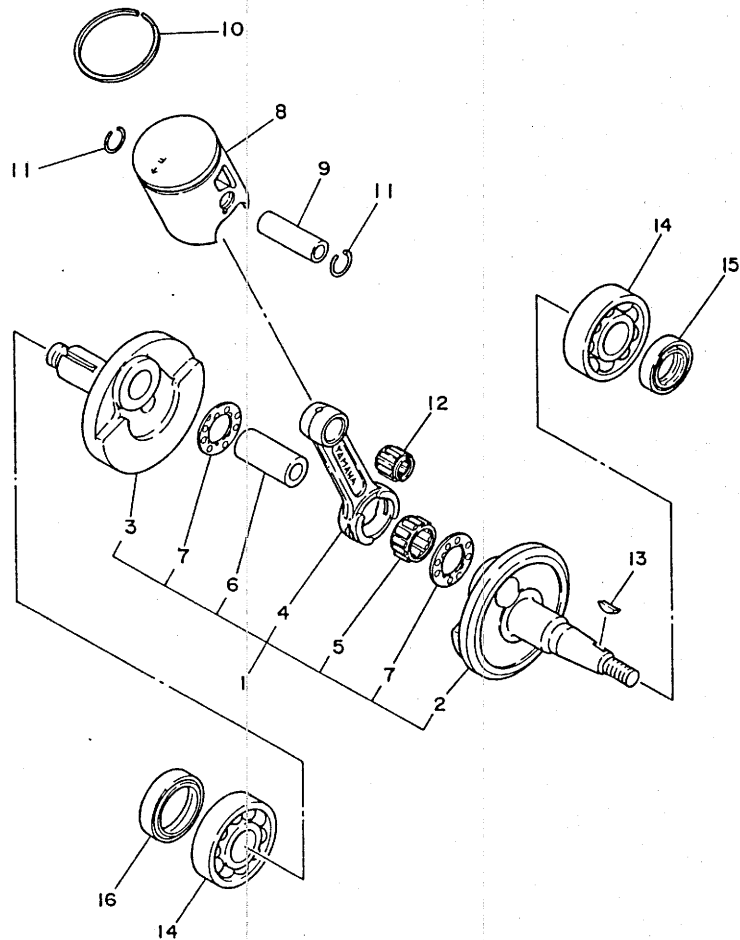
| REF. NO. | PART NO. | DESCRIPTION | QTY | REMARKS |
|----------|--------------|-------------------------|-----|---------------------------|
| 1 | 2VE-11111-00 | HEAD, cylinder 1 | 1 | |
| 2 | 1LR-11181-00 | GASKET, cylinder head 1 | 1 | |
| 3 | 94702-00325 | PLUG, spark (NGK B9EG) | 1 | UR FOR U.S.A., NEWZEALAND |
| | 94702-00324 | PLUG, spark (NGK BR9EG) | 1 | UR FOR CANADA, S.AFRICA |
| 4 | 2HF-11311-01 | CYLINDER 1 | 1 | |
| 5 | 4V0-11351-00 | GASKET, cylinder | 1 | |
| 6 | 90116-08402 | BOLT, stud | 4 | |
| 7 | 90176-08026 | NUT, crown | 4 | |
| 8 | 90201-08087 | WASHER, plate | 4 | |
| 9 | 99510-10114 | PIN, dowel | 2 | |



2HF100-7010

B2

FIG. 2 CRANKSHAFT. PISTON



| REF. NO. | PART NO. | DESCRIPTION | Q'TY | REMARKS |
|----------|-----------------|-----------------------|------|---------|
| 1 | 1LR-11400-00 | CRANKSHAFT ASSY | 1 | |
| 2 | 39K-11412-00 | .CRANK 1 | 1 | |
| 3 | 39K-11422-00 | .CRANK 2 | 1 | |
| 4 | 1LR-11651-00 | .ROD, connecting | 1 | |
| 5 | 93310-418M6 | .BEARING, cylindrical | 1 | |
| 6 | 4V0-11681-00 | .PIN, crank 1 | 1 | |
| 7 | 90209-18112 | .WASHER | 2 | |
| 8 | 2VE-11631-00-94 | PISTON (STD) | 1 | UR |
| | 2VE-11631-00-95 | PISTON (STD) | 1 | UR |
| | 2VE-11635-00 | PISTON (0.25MM O/S) | 1 | AP |
| | 2VE-11636-00 | PISTON (0.50MM O/S) | 1 | AP |
| 9 | 4V1-11633-00 | PIN, piston | 1 | |
| 10 | 39K-11611-00 | RING, piston | 1 | STD |
| | 39K-11611-10 | RING, piston | 1 | AP |
| | 39K-11611-20 | RING, piston | 1 | AP |
| 11 | 93450-13130 | CIRCLIP | 2 | |
| 12 | 93310-312M5 | BEARING, cylindrical | 1 | |
| 13 | 90280-03045 | KEY, woodruff | 1 | |
| 14 | 93306-20454 | BEARING | 2 | |
| 15 | 93102-20231 | OIL SEAL | 1 | |
| 16 | 93103-28126 | OIL SEAL | 1 | |

FWD
2VFO10-8020

B3

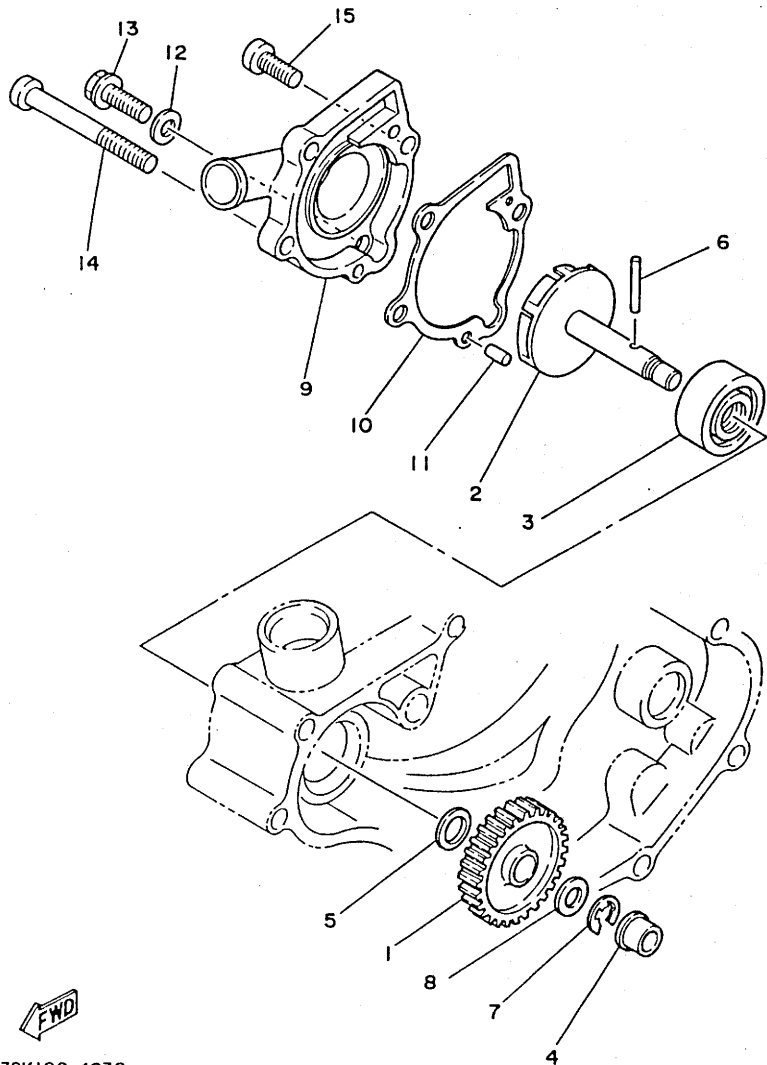


FIG. 3 WATER PUMP

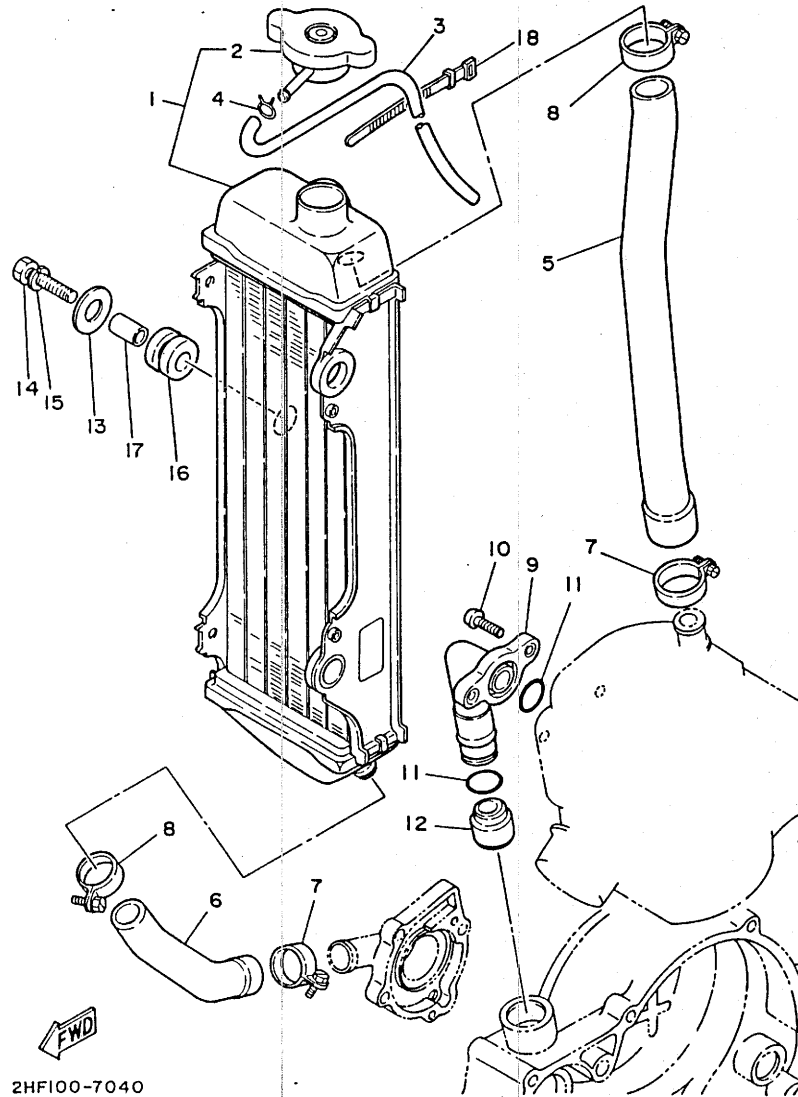
| REF. NO. | PART NO. | DESCRIPTION | QTY | REMARKS |
|----------|--------------|-------------------------|-----|---------|
| 1 | 1LR-12459-00 | GEAR, impeller shaft | 1 | |
| 2 | 22W-12450-00 | IMPELLER SHAFT ASSY | 1 | |
| 3 | 93103-10147 | OIL SEAL | 1 | |
| 4 | 90381-08002 | BUSH, solid | 1 | |
| 5 | 90201-10614 | WASHER, plate | 1 | |
| 6 | 93603-22028 | PIN, dowel | 1 | |
| 7 | 99080-07600 | CIRCLIP | 1 | |
| 8 | 90201-08085 | WASHER, plate | 1 | |
| 9 | 2VE-12422-00 | COVER, housing | 1 | |
| 10 | 5X2-12428-10 | GASKET, housing cover 2 | 1 | |
| 11 | 93604-10011 | PIN, dowel | 2 | |
| 12 | 90430-06166 | GASKET | 1 | |
| 13 | 95826-06020 | BOLT, flange | 1 | |
| 14 | 98506-06060 | SCREW, pan head | 2 | |
| 15 | 98516-06020 | SCREW, pan head | 1 | |



39K100-4030

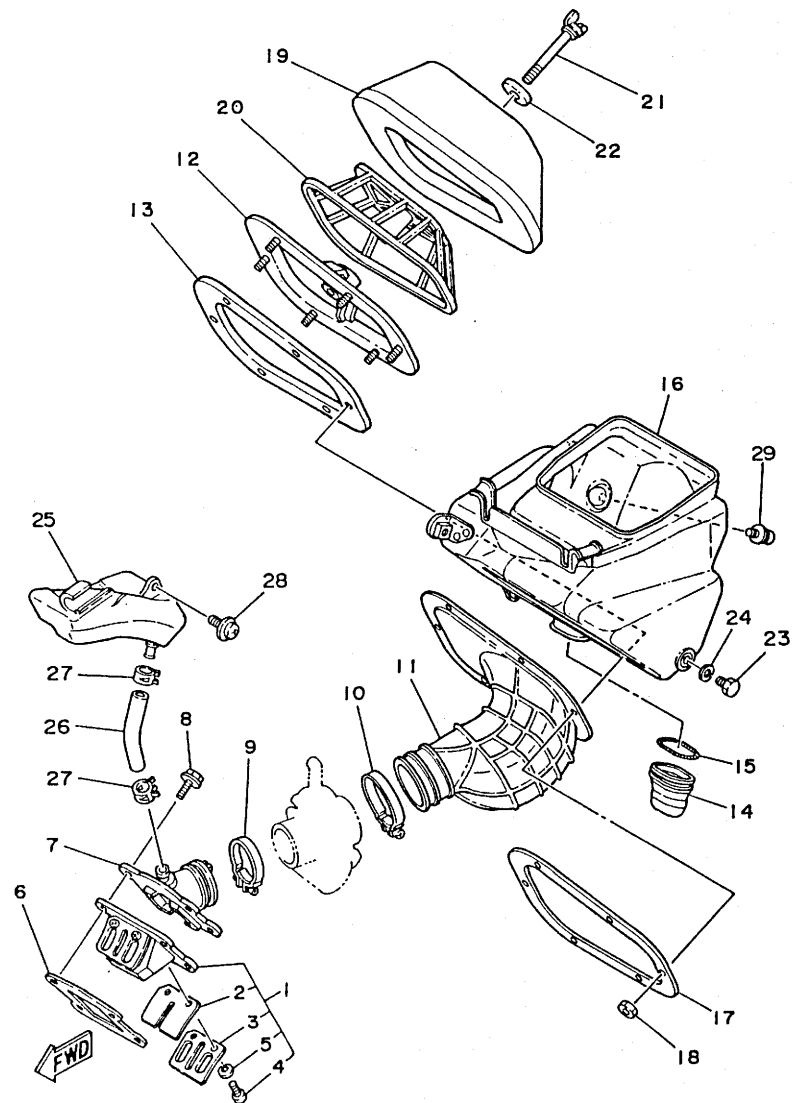
B4

FIG. 4 RADIATOR. HOSE



2HF100-7040

| REF. NO. | PART NO. | DESCRIPTION | Q'TY | REMARKS |
|----------|--------------|-------------------|------|---------|
| 1 | 2HF-12460-00 | RADIATOR ASSY | 1 | |
| 2 | 22W-12462-00 | .CAP, radiator | 1 | |
| 3 | 22W-12463-00 | PIPE, breather | 1 | |
| 4 | 90467-08004 | CLIP | 1 | |
| 5 | 39K-12481-00 | PIPE 1 | 1 | |
| 6 | 39K-12482-00 | PIPE 2 | 1 | |
| 7 | 90450-28014 | HOSE CLAMP ASSY | 2 | |
| 8 | 90450-22017 | HOSE CLAMP ASSY | 2 | |
| 9 | 2VE-12446-00 | JOINT | 1 | |
| 10 | 98506-06016 | SCREW, pan head | 2 | |
| 11 | 93210-16275 | O-RING | 2 | |
| 12 | 4V2-12494-00 | SEAL, pipe 1 | 1 | |
| 13 | 90201-061H3 | WASHER, plate | 3 | |
| 14 | 97001-06030 | BOLT | 3 | |
| 15 | 92990-06100 | WASHER, spring | 3 | |
| 16 | 90480-15064 | GROMMET | 3 | |
| 17 | 90387-07392 | COLLAR | 3 | |
| 18 | 437-83936-01 | BAND, switch cord | 1 | |



2HF100-7050

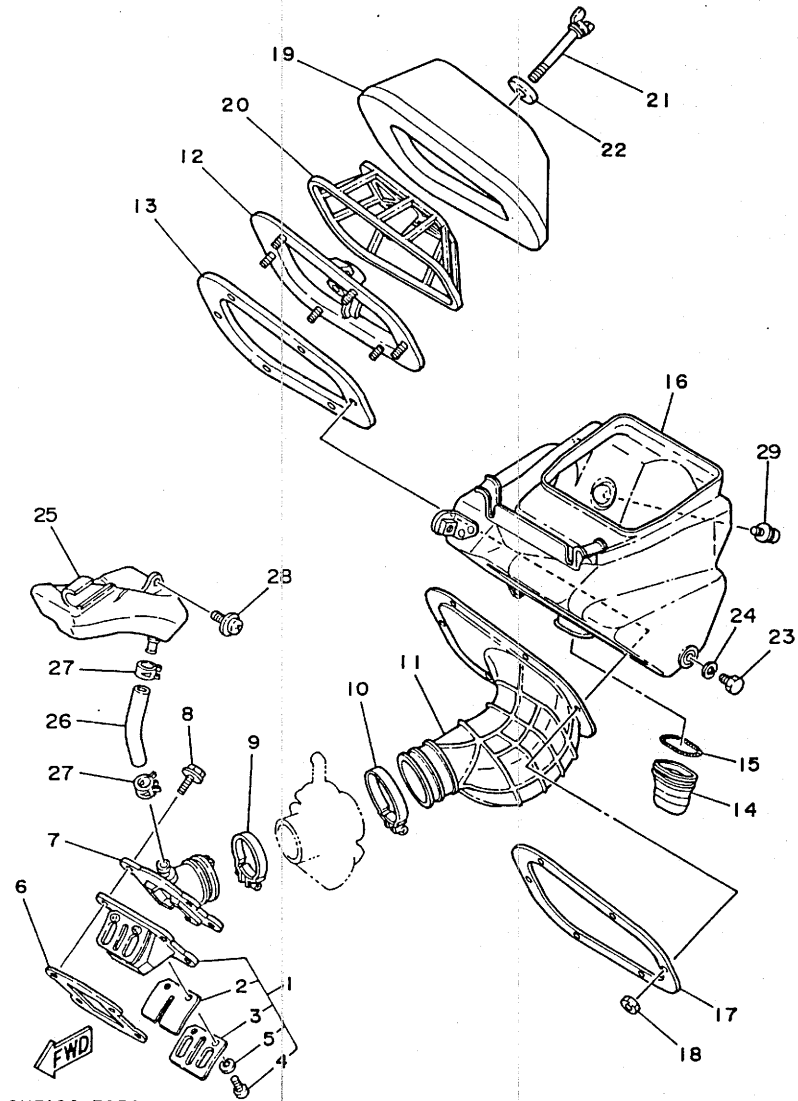
FIG. 5 INTAKE

| REF. NO. | PART NO. | DESCRIPTION | Q'TY | REMARKS |
|----------|--------------|------------------------|------|---------|
| 1 | 2HF-13610-01 | REED VALVE ASSY | 1 | |
| 2 | 2HF-13613-00 | .REED, valve | 2 | |
| 3 | 58T-13616-01 | .STOPPER, reed valve | 2 | |
| 4 | 98580-03008 | .SCREW, pan head | 4 | |
| 5 | 92990-03100 | .WASHER, spring | 4 | |
| 6 | 1LR-13621-10 | GASKET, valve seat | 1 | |
| 7 | 1LR-13565-00 | JOINT, carburetor | 1 | |
| 8 | 95026-06020 | BOLT, flange | 4 | |
| 9 | 90460-43053 | CLAMP, hose | 1 | |
| 10 | 90460-51059 | CLAMP, hose | 1 | |
| 11 | 2HF-14453-00 | JOINT, air cleaner 1 | 1 | |
| 12 | 2HF-14459-00 | HOLDER, guide | 1 | |
| 13 | 2HF-14462-00 | SEAL | 1 | |
| 14 | 39K-14457-00 | SEAL | 1 | |
| 15 | 90504-03033 | SPRING, compression | 1 | |
| 16 | 2HF-W1441-01 | AIR CLEANER CASE COMP. | 1 | |
| 17 | 2HF-14477-00 | PLATE | 1 | |
| 18 | 95601-05100 | NUT, u | 6 | |
| 19 | 2HF-14451-00 | ELEMENT, air cleaner | 1 | |
| 20 | 2HF-14458-00 | GUIDE | 1 | |
| 21 | 90122-06013 | BOLT, wing | 1 | |
| 22 | 90209-06096 | WASHER | 1 | |
| 23 | 97013-06012 | BOLT | 1 | |
| 24 | 92990-06100 | WASHER, spring | 1 | |
| 25 | 22W-13581-00 | CHAMBER, air | 1 | |
| 26 | 90445-164E1 | HOSE | 1 | |
| 27 | 90467-16063 | CLIP | 2 | |
| 28 | 90159-06033 | SCREW, with washer | 1 | |

B6

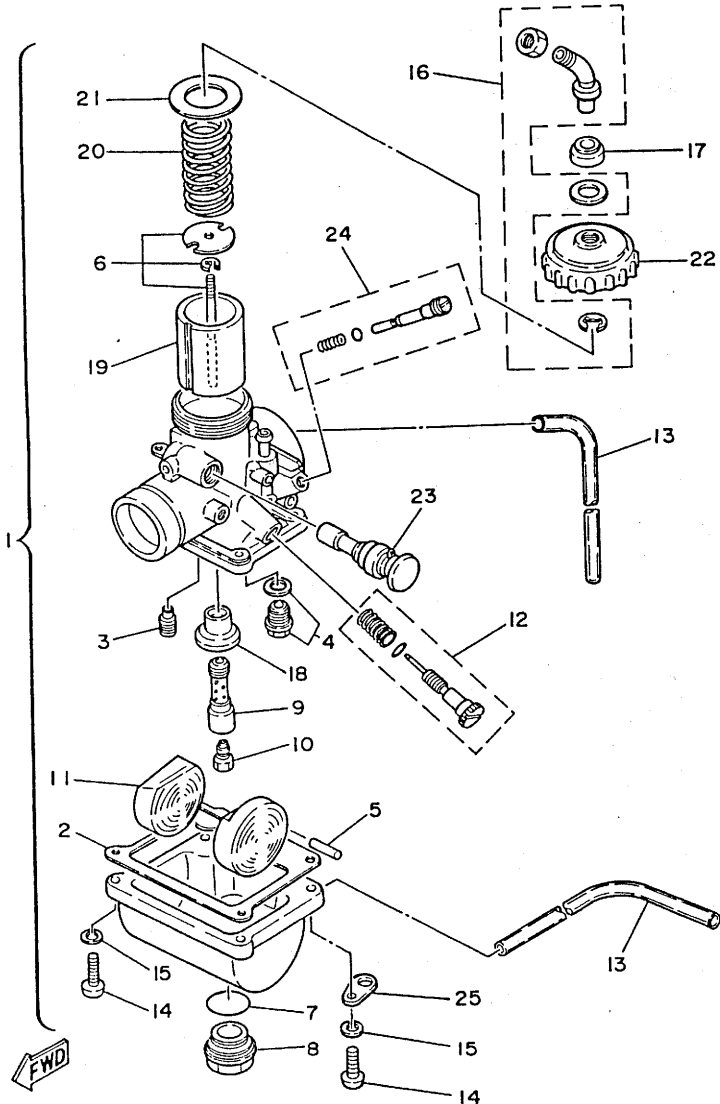
FIG. 5 INTAKE

| REF. NO. | PART NO. | DESCRIPTION | Q'TY | REMARKS |
|----------|-------------|-------------------|------|---------|
| 29 | 90119-06085 | BOLT, with washer | 1 | |



2HF100-7050

B7



3ML2300-0060

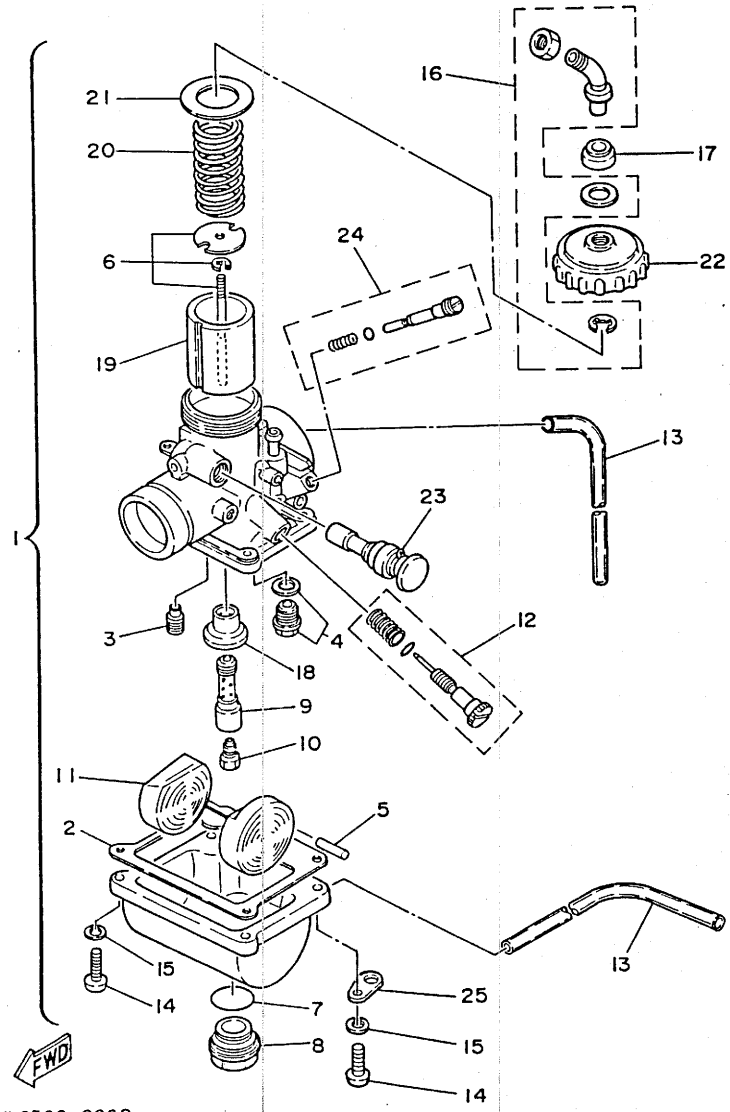
FIG. 6 CARBURETOR

| REF. NO. | PART NO. | DESCRIPTION | Q'TY | REMARKS |
|----------|-----------------|-------------------------|------|---------|
| 1 | 1LR-14101-00 | CARBURETOR ASSY 1 | 1 | |
| 2 | 304-14184-00 | .GASKET, float chamber | 1 | |
| 3 | 260-14142-35 | .JET, pilot (# 35) | 1 | STD |
| | 260-14142-30 | .JET, pilot (# 30) | 1 | AP |
| | 260-14142-40 | .JET, pilot (# 40) | 1 | AP |
| 4 | 23L-14107-25 | .NEEDLE VALVE SET | 1 | |
| 5 | 127-14186-00 | .PIN, float | 1 | |
| 6 | 58T-1490J-00 | .NEEDLE SET | 1 | |
| 7 | 93210-18288 | .O-RING | 1 | |
| 8 | 3R1-14115-00 | .PLUG, screw | 1 | |
| 9 | 3R1-14141-52 | .NOZZLE, main | 1 | STD |
| | 3R1-14141-50 | .NOZZLE, main | 1 | AP |
| | 3R1-14141-54 | .NOZZLE, main | 1 | AP |
| 10 | 137-14143-56-A0 | .JET, main (#280) | 1 | STD |
| | 137-14143-54-A1 | .JET, main (#270) | 1 | AP |
| | 137-14143-58-A1 | .JET, main (#290) | 1 | AP |
| | 137-14143-60-A0 | .JET, main (#300) | 1 | AP |
| 11 | 314-14185-00 | .FLOAT | 1 | |
| 12 | 31J-14103-00 | .THROTTLE SCREW SET | 1 | |
| 13 | 53V-14196-00 | .PIPE | 3 | |
| 14 | 98511-04016 | .SCREW, pan head | 4 | |
| 15 | 92902-04100 | .WASHER, spring | 4 | |
| 16 | 22W-14106-00 | .CABLE ADJUST SCREW SET | 1 | |
| 17 | 3X3-14169-00 | .CAP | 1 | |
| 18 | 39K-14153-00 | .WASHER, main jet | 1 | |
| 19 | 2X6-14112-30 | .VALVE, throttle 1 | 1 | STD |
| | 2X6-14112-25 | .VALVE, throttle 1 | 1 | AP |
| | 2X6-14112-35 | .VALVE, throttle 1 | 1 | AP |

B8

FIG. 6 CARBURETOR

| REF. NO. | PART NO. | DESCRIPTION | Q'TY | REMARKS |
|----------|--------------|-------------------------|------|---------|
| 20 | 248-14131-00 | .SPRING, throttle valve | 1 | |
| 21 | 2A6-14126-00 | .GASKET | 1 | |
| 22 | 2A6-14158-00 | .TOP, mixing chamber | 1 | |
| 23 | 4U5-14171-00 | .PLUNGER, starter | 1 | |
| 24 | 10W-14104-00 | .AIR SCREW SET | 1 | |
| 25 | 132-14146-00 | .PLATE | 1 | |



3ML2300-0060

B9

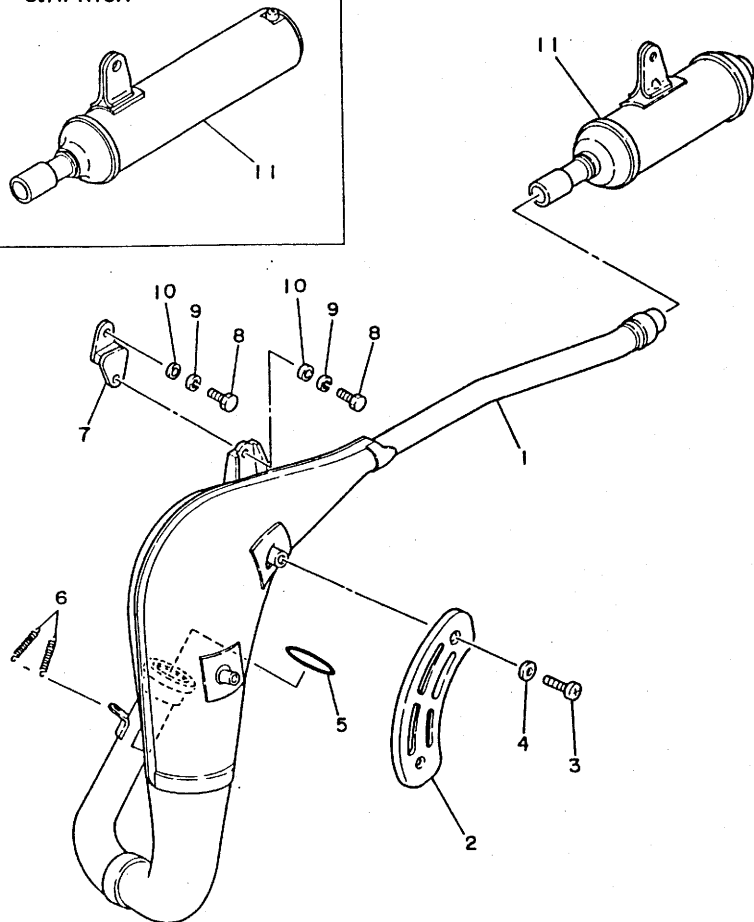
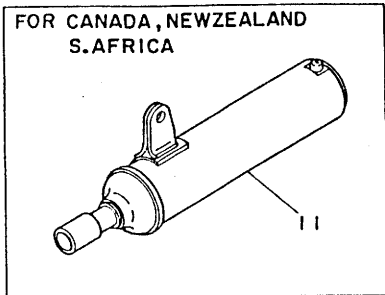


FIG. 7 EXHAUST

| REF. NO. | PART NO. | DESCRIPTION | QTY | REMARKS |
|----------|--------------|----------------------|-----|--|
| 1 | 2HF-14610-01 | EXHAUST PIPE ASSY 1 | 1 | |
| 2 | 39K-14718-00 | PROTECTOR, muffler 1 | 1 | |
| 3 | 98906-06008 | SCREW, bind | 2 | |
| 4 | 90202-05193 | WASHER, plate | 2 | |
| 5 | 93210-40745 | O-RING | 1 | |
| 6 | 90507-20030 | SPRING, tension | 2 | |
| 7 | 565-14771-00 | STAY, muffler 1 | 1 | |
| 8 | 97313-06016 | BOLT | 2 | |
| 9 | 92990-06100 | WASHER, spring | 2 | |
| 10 | 92901-06600 | WASHER, plate | 2 | |
| 11 | 1LR-14753-00 | SILENCER, exhaust | 1 | UR FOR U.S.A. |
| | 3ML-14753-00 | SILENCER, exhaust | 1 | UR FOR CANADA, NEWZEALAND, S.AFRICA |



3MK3100-1070

B10

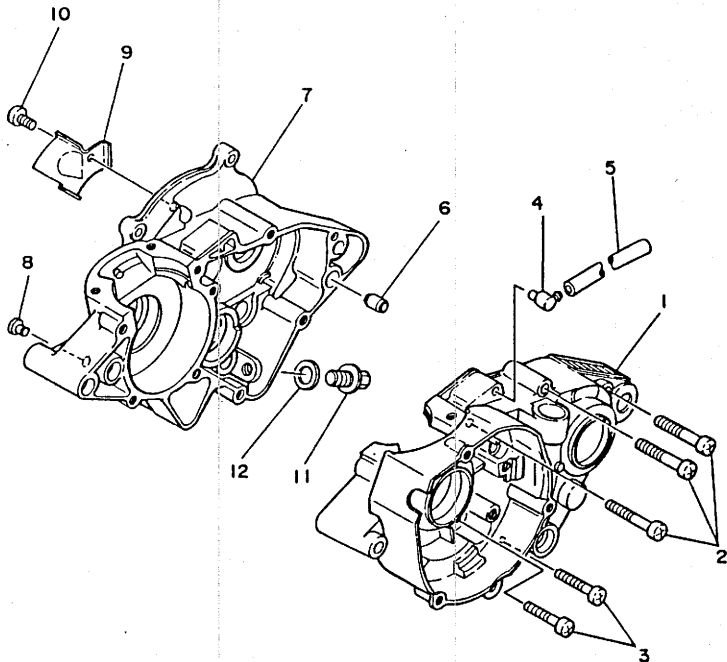


FIG. 8 CRANKCASE

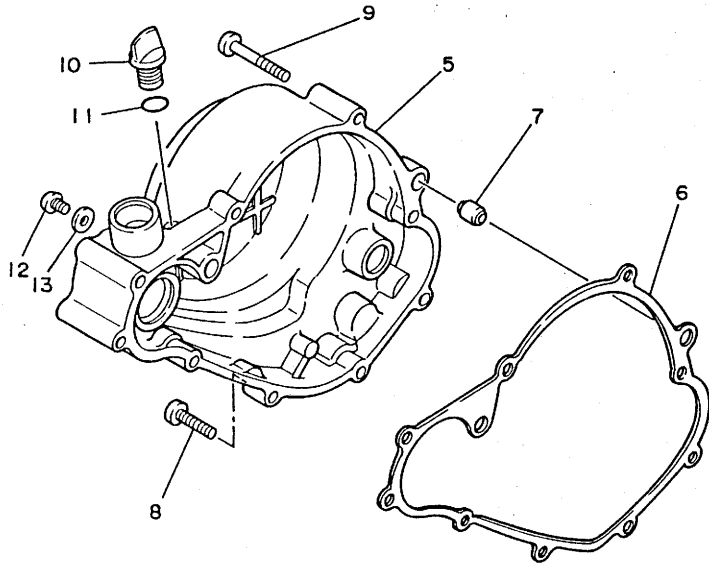
| REF. NO. | PART NO. | DESCRIPTION | Q'TY | REMARKS |
|----------|--------------|-------------------------|------|---------|
| 1 | 2VE-15111-00 | CRANKCASE 1 | 1 | |
| 2 | 98503-06045 | SCREW, pan head | 6 | |
| 3 | 98501-06035 | SCREW, pan head | 3 | |
| 4 | 353-13115-01 | CONNECTOR, suction pipe | 1 | |
| 5 | 90445-08376 | HOSE | 1 | |
| 6 | 99510-12016 | PIN, dowel | 2 | |
| 7 | 2VE-15121-00 | CRANKCASE 2 | 1 | |
| 8 | 90338-07011 | PLUG | 1 | |
| 9 | 5X2-15113-01 | PLATE | 1 | |
| 10 | 98501-06012 | SCREW, pan head | 1 | |
| 11 | 90340-12097 | PLUG, straight screw | 1 | |
| 12 | 90430-12207 | GASKET | 1 | |



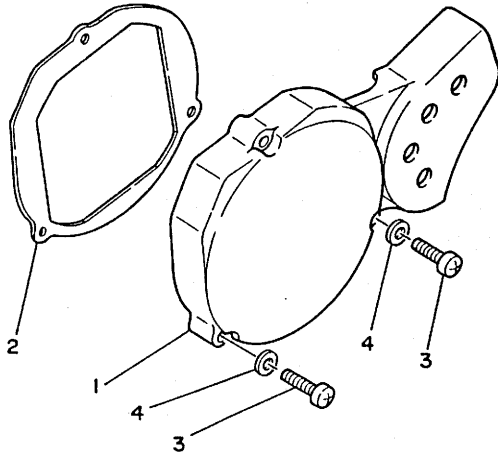
22W100-3090

B11

FIG. 9 CRANKCASE COVER 1



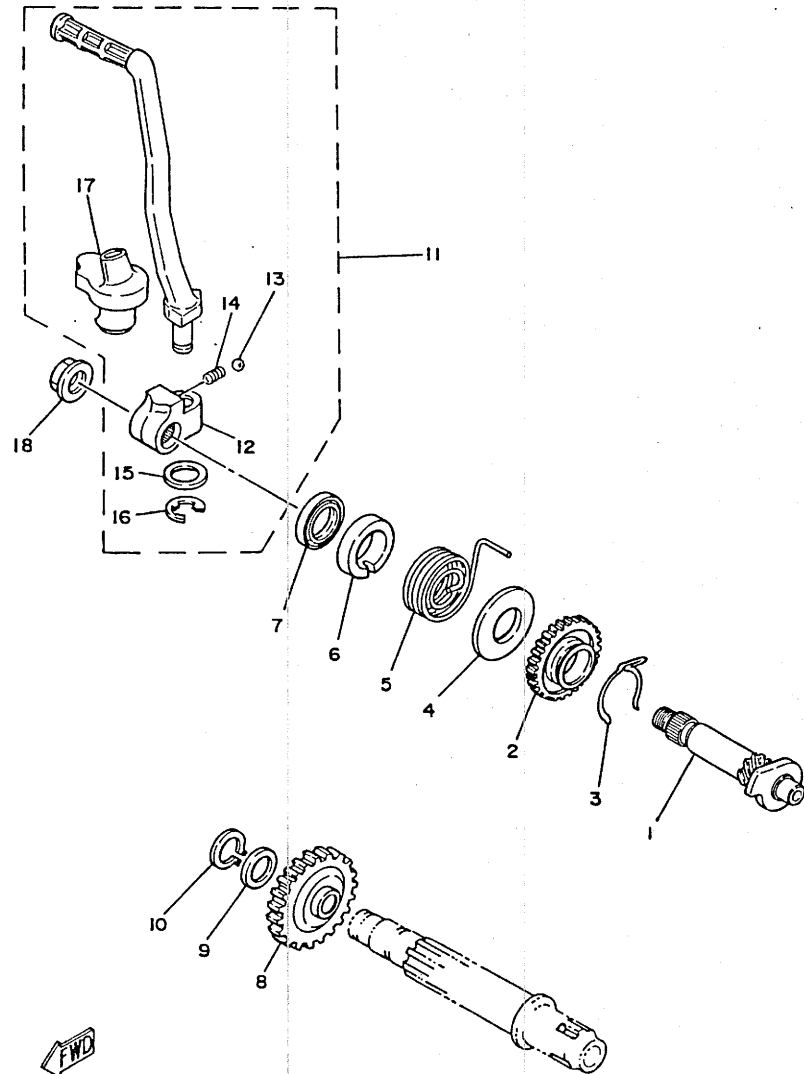
| REF. NO. | PART NO. | DESCRIPTION | QTY | REMARKS |
|----------|--------------|---------------------------|-----|---------|
| 1 | 2VE-15411-00 | COVER, crankcase 1 | 1 | |
| 2 | 22W-15451-10 | GASKET, crankcase cover 1 | 1 | |
| 3 | 92516-06030 | SCREW, pan head | 3 | |
| 4 | 92906-06600 | WASHER, plate | 3 | |
| 5 | 2VE-15421-00 | COVER, crankcase 2 | 1 | |
| 6 | 5X2-15462-00 | GASKET, crankcase cover 3 | 1 | |
| 7 | 99530-10014 | PIN, dowel | 2 | |
| 8 | 98506-06025 | SCREW, pan head | 6 | |
| 9 | 98506-06040 | SCREW, pan head | 1 | |
| 10 | 4J2-15363-00 | PLUG, oil | 1 | |
| 11 | 93210-14104 | O-RING | 1 | |
| 12 | 98506-06008 | SCREW, pan head | 1 | |
| 13 | 90430-06016 | GASKET | 1 | |



58T100-5090

B12

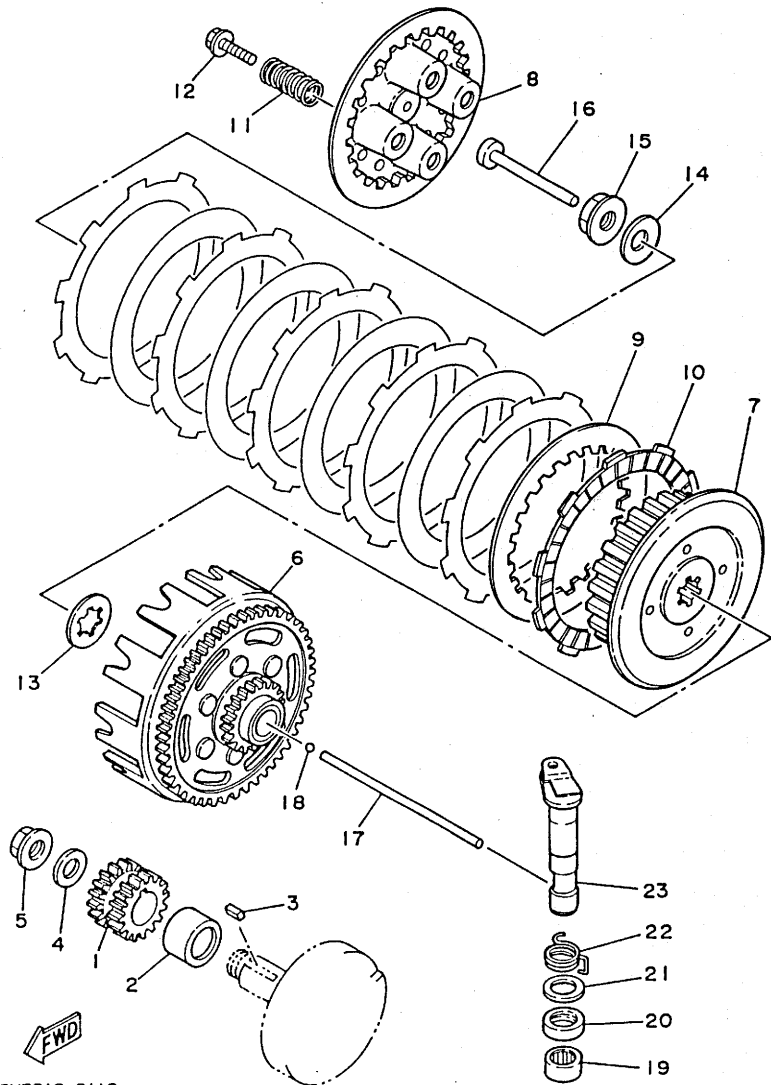
FIG. 10 STARTER



| REF. NO. | PART NO. | DESCRIPTION | Q'TY | REMARKS |
|----------|--------------|---------------------------|------|---------|
| 1 | 22W-15660-00 | KICK AXLE ASSY | 1 | |
| 2 | 4V0-15641-00 | GEAR, kick (24T) | 1 | |
| 3 | 90468-26046 | CLIP | 1 | |
| 4 | 90201-154A1 | WASHER, plate | 1 | |
| 5 | 90508-26464 | SPRING, torsion | 1 | |
| 6 | 4V0-15664-00 | GUIDE, spring | 1 | |
| 7 | 93109-15001 | OIL SEAL | 1 | |
| 8 | 4V0-15651-00 | GEAR, sprocket idle (25T) | 1 | |
| 9 | 90201-12M34 | WASHER, plate | 1 | |
| 10 | 99009-12400 | CIRCLIP | 1 | |
| 11 | 22W-15620-00 | KICK CRANK ASSY | 1 | |
| 12 | 4V0-15621-00 | .BOSS, kick crank | 1 | |
| 13 | 93507-32031 | .BALL | 1 | |
| 14 | 90501-12081 | .SPRING, compression | 1 | |
| 15 | 90201-12631 | .WASHER, plate | 1 | |
| 16 | 93430-08007 | .CIRCLIP | 1 | |
| 17 | 4V0-15618-00 | .COVER, kick lever | 1 | |
| 18 | 95702-10500 | NUT, flange | 1 | |

22W100-3110

B13



2VF010-8110

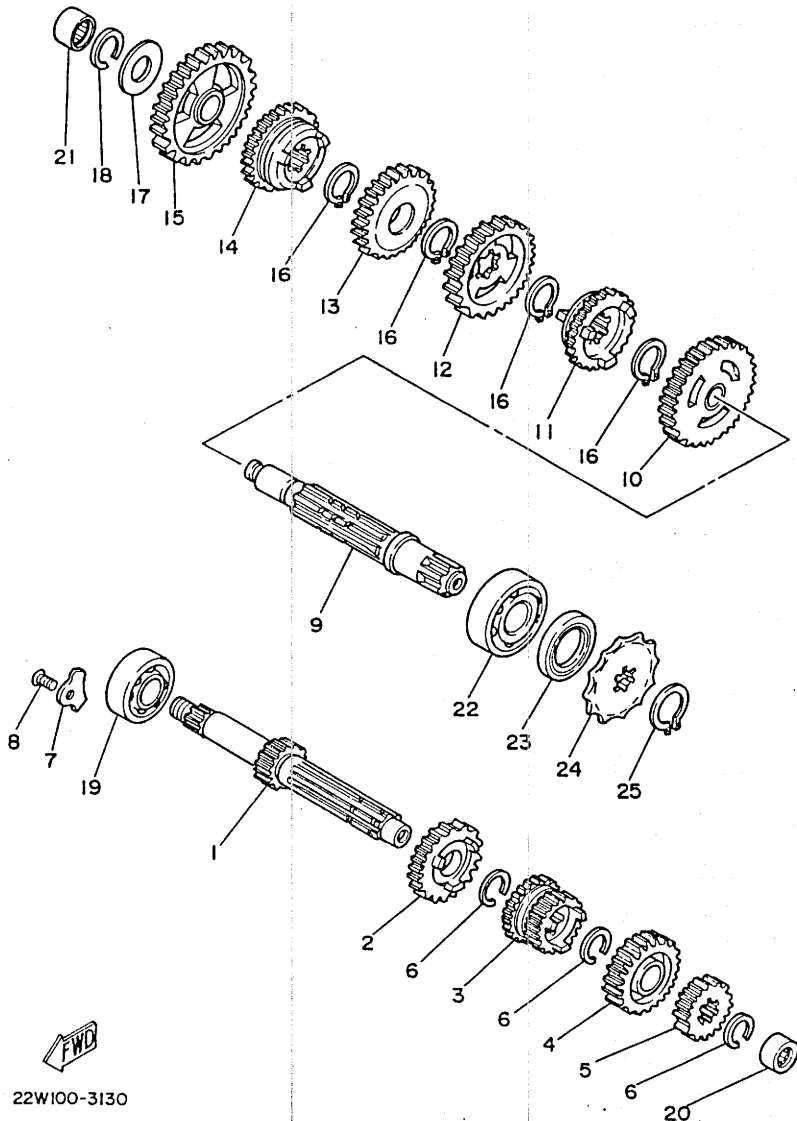
FIG. 11 CLUTCH

| REF. NO. | PART NO. | DESCRIPTION | Q'TY | REMARKS |
|----------|--------------|---------------------------|------|---------|
| 1 | 1LR-16111-00 | GEAR, primary drive | 1 | |
| 2 | 90387-202F0 | COLLAR | 1 | |
| 3 | 90282-05001 | KEY, straight | 1 | |
| 4 | 90208-12015 | WASHER, conical spring | 1 | |
| 5 | 90179-12335 | NUT | 1 | |
| 6 | 1LR-16150-00 | PRIMARY DRIVEN GEAR COMP. | 1 | |
| 7 | 1LR-16371-00 | BOSS, clutch | 1 | |
| 8 | 1LR-16351-00 | PLATE, pressure 1 | 1 | |
| 9 | 257-16324-00 | PLATE, clutch 1 | 5 | |
| 10 | 21V-16321-00 | PLATE, friction | 6 | |
| 11 | 90501-204A0 | SPRING, compression | 4 | |
| 12 | 90159-05011 | SCREW, with washer | 4 | |
| 13 | 4V0-16154-00 | PLATE, thrust 1 | 1 | |
| 14 | 90208-12015 | WASHER, conical spring | 1 | |
| 15 | 90179-12244 | NUT | 1 | |
| 16 | 137-16356-00 | ROD, push 1 | 1 | |
| 17 | 2X3-16357-00 | ROD, push 2 | 1 | |
| 18 | 93503-16010 | BALL | 1 | |
| 19 | 93315-21429 | BEARING, cylindrical | 1 | |
| 20 | 93109-14021 | OIL SEAL | 1 | |
| 21 | 90201-14411 | WASHER, plate | 1 | |
| 22 | 90508-18463 | SPRING, torsion | 1 | |
| 23 | 58T-16382-00 | AXLE, push lever | 1 | |

B14

FIG. 12 TRANSMISSION

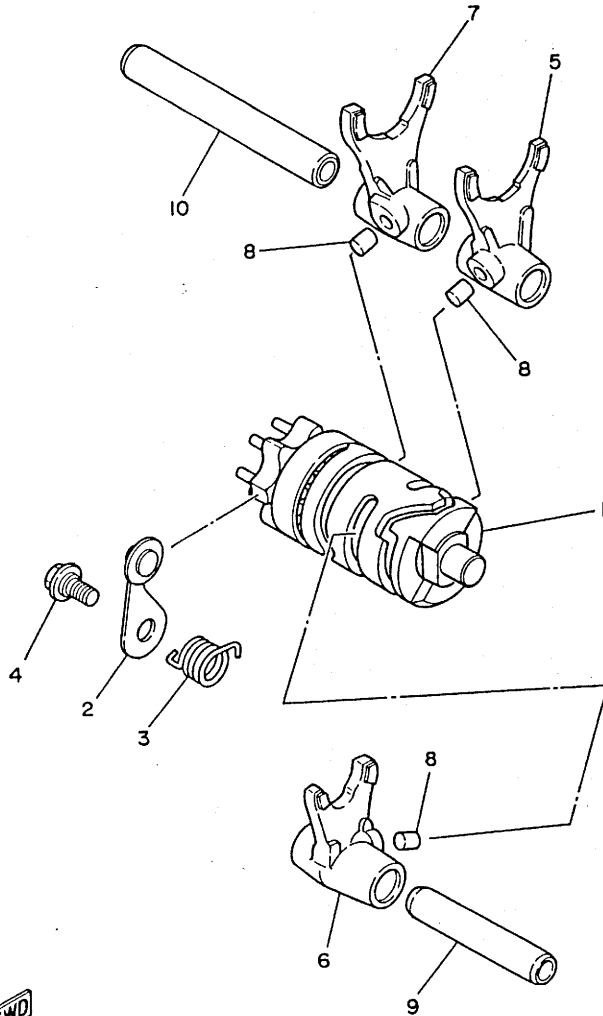
| REF. NO. | PART NO. | DESCRIPTION | Q'TY | REMARKS |
|----------|-----------------|----------------------------------|------|---------|
| 1 | 2VE-17411-00 | AXLE, main | 1 | |
| 2 | 2VE-17151-00 | GEAR, 5th pinion (22T) | 1 | |
| 3 | 2VE-17131-00 | GEAR, 3rd pinion (16T/19T) | 1 | |
| 4 | 2VE-17161-00 | GEAR, 6th pinion (23T) | 1 | |
| 5 | 2VE-17121-00 | GEAR, 2nd pinion (16T) | 1 | |
| 6 | 93440-17064 | CIRCLIP | 3 | |
| 7 | 3AK-15383-01 | PLATE, bearing cover | 2 | |
| 8 | 92701-06012 | SCREW, flat head | 2 | |
| 9 | 22W-17421-00 | AXLE, drive | 1 | |
| 10 | 39K-17221-00 | GEAR, 2nd wheel (33T) | 1 | |
| 11 | 39K-17261-01 | GEAR, 6th wheel (26T) | 1 | |
| 12 | 4V0-17231-00 | GEAR, 3rd wheel (31T) | 1 | |
| 13 | 39K-17241-00 | GEAR, 4th wheel (22T) | 1 | |
| 14 | 39K-17251-01 | GEAR, 5th wheel (27T) | 1 | |
| 15 | 4V0-17211-00 | GEAR, 1st wheel (36T) | 1 | |
| 16 | 93410-20038 | CIRCLIP | 4 | |
| 17 | 164-17427-00-06 | SHIM 1 (0.6T) | 1 | |
| 18 | 93440-15012 | CIRCLIP | 1 | |
| 19 | 93306-20333 | BEARING | 1 | |
| 20 | 93317-11245 | BEARING, cylindrical | 1 | |
| 21 | 93315-31502 | BEARING, cylindrical | 1 | |
| 22 | 93306-20401 | BEARING (B6204) | 1 | |
| 23 | 93102-20143 | OIL SEAL | 1 | |
| 24 | 93822-14037 | SPROCKET, drive 14T (1741746140) | 1 | STD |
| | 93822-12012 | SPROCKET, drive 12T (1741746120) | 1 | AP |
| | 93822-13024 | SPROCKET, drive 13T (1741746130) | 1 | AP |
| | 93822-15065 | SPROCKET, drive 15T (1741746150) | 1 | AP |
| 25 | 99009-18400 | CIRCLIP | 1 | |



22W100-3130

B15

FIG. 13 SHIFT CAM. FORK



| REF. NO. | PART NO. | DESCRIPTION | Q'TY | REMARKS |
|----------|--------------|-------------------------|------|---------|
| 1 | 22W-18540-00 | SHIFT CAM ASSY | 1 | |
| 2 | 22W-18140-00 | STOPPER LEVER ASSY | 1 | |
| 3 | 90508-26561 | SPRING, torsion | 1 | |
| 4 | 90109-063F7 | BOLT | 1 | |
| 5 | 4V0-18511-00 | FORK, shift 1 | 1 | |
| 6 | 39K-18512-00 | FORK, shift 2 | 1 | |
| 7 | 4V0-18513-00 | FORK, shift 3 | 1 | |
| 8 | 90250-06013 | PIN, straight | 3 | |
| 9 | 5X5-18531-01 | BAR, shift fork guide 1 | 1 | |
| 10 | 5X5-18535-01 | BAR, shift fork guide 2 | 1 | |

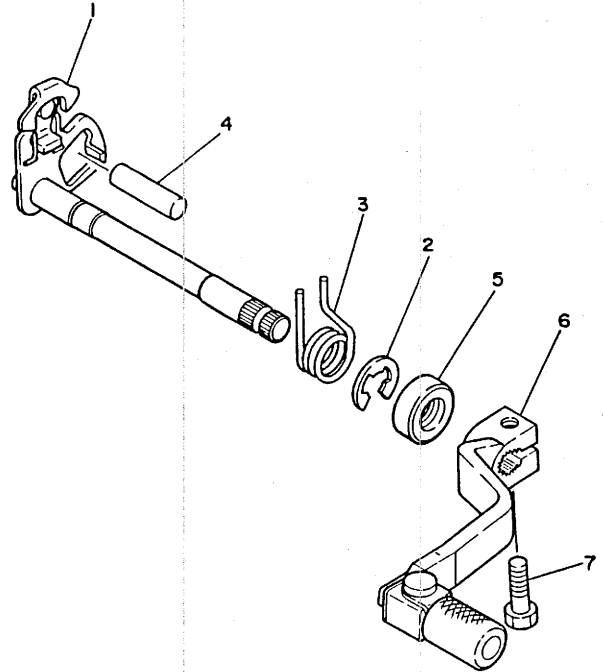


22W100-3140

C2

FIG. 14 SHIFT SHAFT

| REF. NO. | PART NO. | DESCRIPTION | Q'TY | REMARKS |
|----------|--------------|------------------|------|---------|
| 1 | 22W-18101-01 | SHIFT SHAFT ASSY | 1 | |
| 2 | 99006-10600 | CIRCLIP | 1 | |
| 3 | 90508-32642 | SPRING, torsion | 1 | |
| 4 | 93608-30152 | PIN, dowel | 1 | |
| 5 | 93109-12012 | OIL SEAL | 1 | |
| 6 | 2HF-18110-00 | SHIFT PEDAL ASSY | 1 | |
| 7 | 97011-06020 | BOLT | 1 | |



2HF100-7140

C3

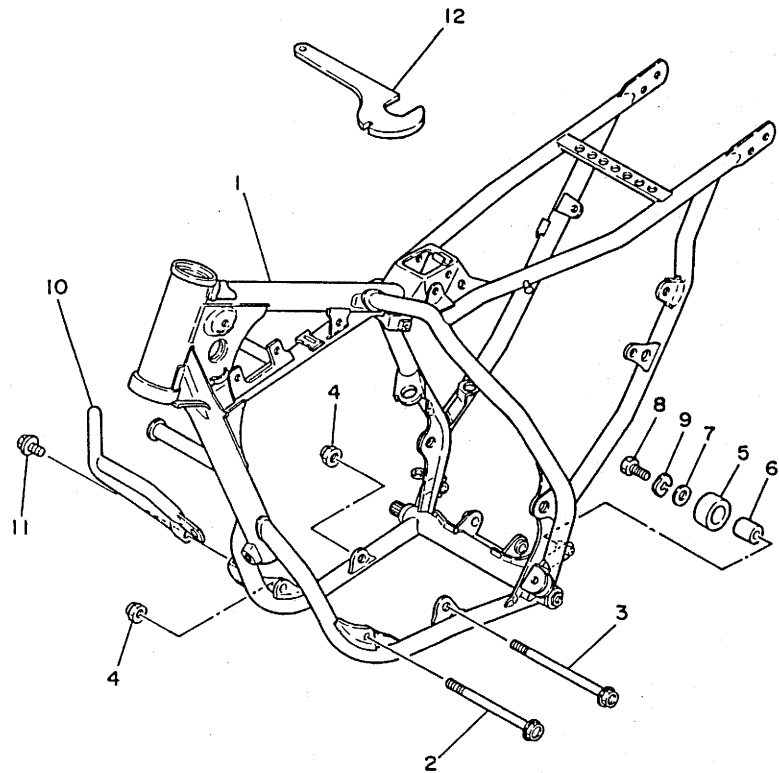


FIG. 15 FRAME

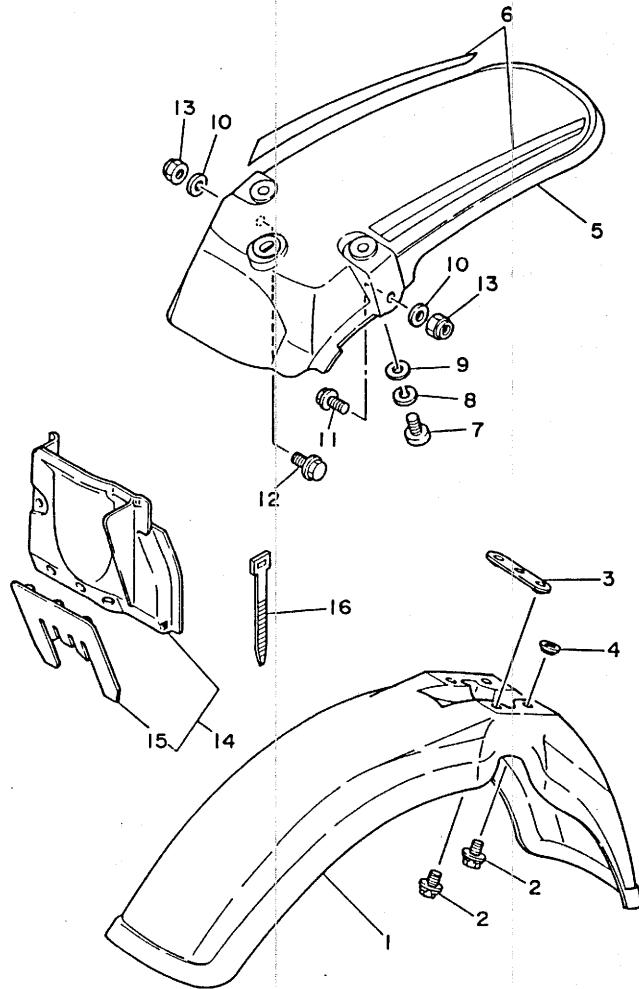
| REF. NO. | PART NO. | DESCRIPTION | Q'TY | REMARKS |
|----------|-----------------|-------------------|------|---------------|
| 1 | 2HF-21110-00-UJ | FRAME COMP. | 1 | RADICAL WHITE |
| 2 | 91011-08125 | BOLT, flange | 1 | |
| 3 | 91011-08135 | BOLT, flange | 1 | |
| 4 | 95601-08200 | NUT, self-locking | 2 | |
| 5 | 30X-22178-00 | TENSIONER | 1 | |
| 6 | 4V4-22184-00 | BUSH | 1 | |
| 7 | 90201-067A0 | WASHER, plate | 1 | |
| 8 | 97313-06016 | BOLT | 1 | |
| 9 | 92901-06700 | WASHER, wave | 1 | |
| 10 | 1LR-2174F-00 | GUARD, radiator | 1 | |
| 11 | 95023-08012 | BOLT, flange | 2 | |
| 12 | 10V-28135-00 | SPANNER, special | 1 | |

FWD

2HF100-7150

C4

FIG. 16 FENDER

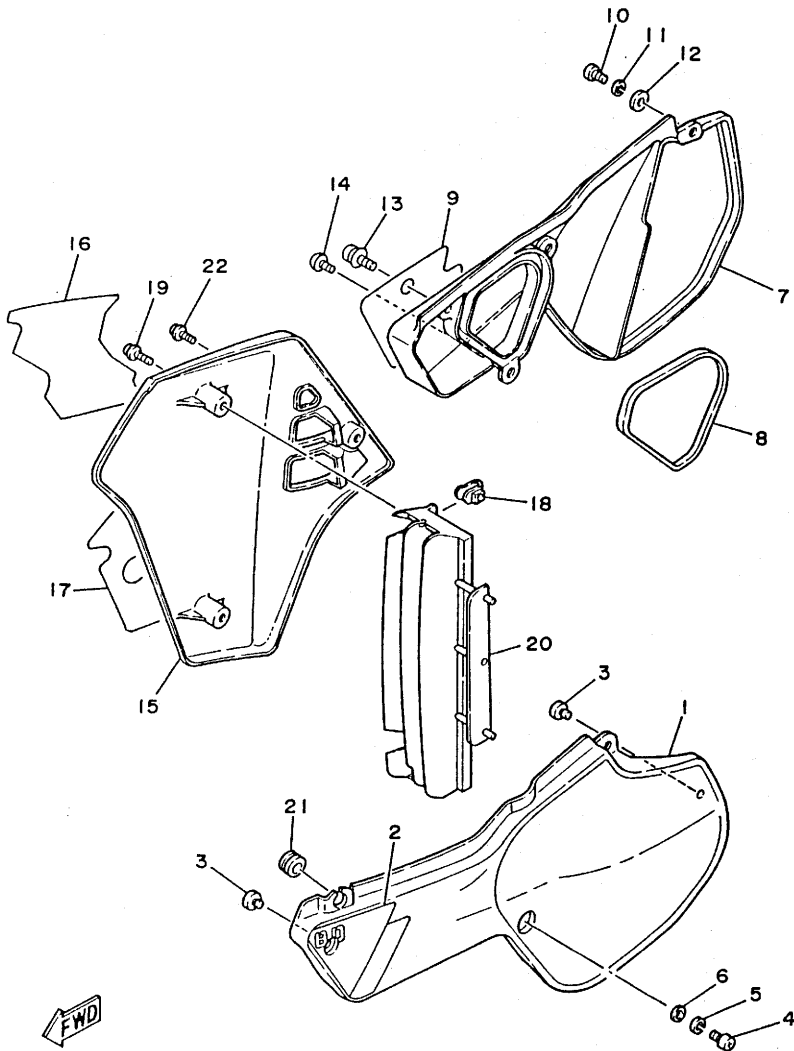


| REF. NO. | PART NO. | DESCRIPTION | Q'TY | REMARKS |
|----------|--------------|--------------------------|------|------------------------|
| 1 | 3MK-21511-00 | FENDER, front | 1 | PURPLISH WHITE SOLID 1 |
| 2 | 90119-06063 | BOLT, with washer | 4 | |
| 3 | 2VE-21523-00 | PLATE 1 | 1 | |
| 4 | 90209-06187 | WASHER | 2 | |
| 5 | 3MK-21611-00 | FENDER, rear | 1 | PURPLISH WHITE SOLID 1 |
| 6 | 3MK-2165A-10 | GRAPHIC SET, rear fender | 1 | |
| 7 | 98502-06016 | SCREW, pan head | 3 | |
| 8 | 92990-06100 | WASHER, spring | 3 | |
| 9 | 90201-065F3 | WASHER, plate | 3 | |
| 10 | 90201-08730 | WASHER, plate | 2 | |
| 11 | 91001-08025 | BOLT, flange | 1 | |
| 12 | 91001-08020 | BOLT, flange | 1 | |
| 13 | 95601-08200 | NUT, self-locking | 2 | |
| 14 | 39K-21620-01 | MUD GUARD COMP. | 1 | |
| 15 | 4V0-21621-00 | .FLAP | 1 | |
| 16 | 437-83936-00 | BAND, switch cord | 1 | |

3MK3100-1160

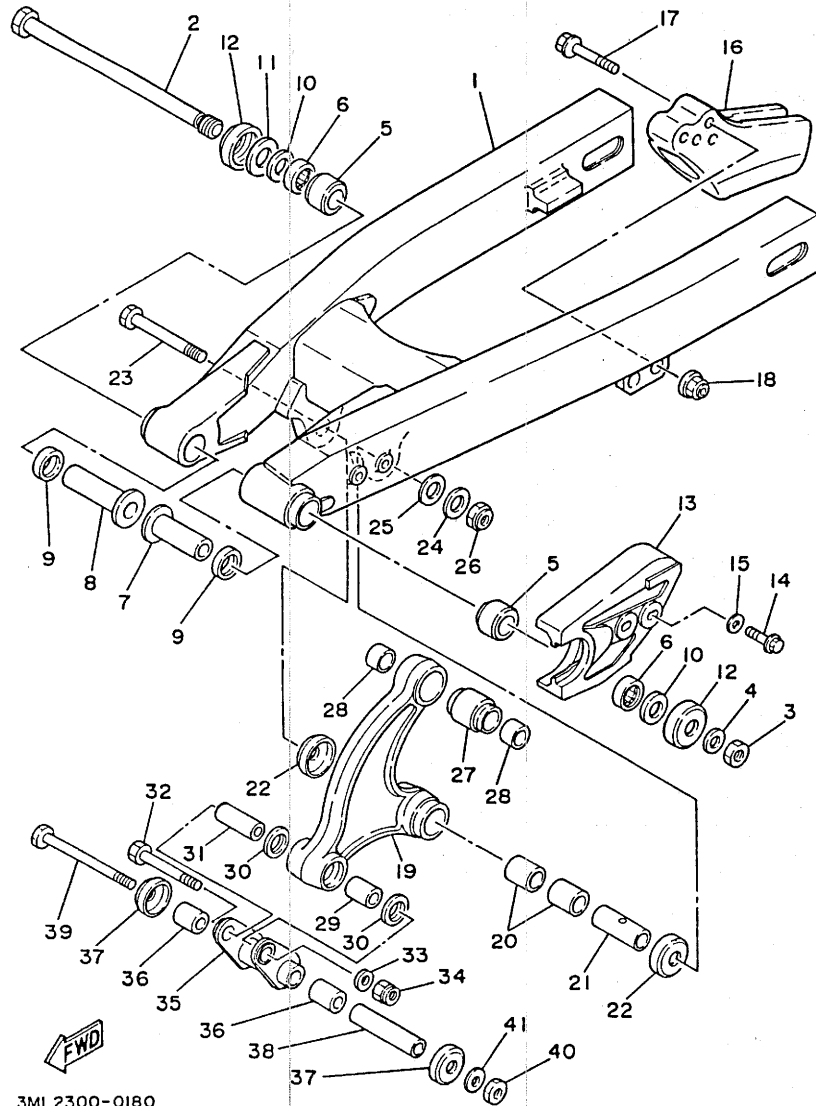
FIG. 17 SIDE COVER

| REF. NO. | PART NO. | DESCRIPTION | Q'TY | REMARKS |
|----------|-----------------|----------------------|------|------------------------|
| 1 | 3MK-21711-00 | COVER, side 1 | 1 | PURPLISH WHITE SOLID 1 |
| 2 | 3MK-2173E-10 | GRAPHIC 1 | 1 | |
| 3 | 22W-24181-00 | DAMPER, locating 1 | 2 | |
| 4 | 98502-06016 | SCREW, pan head | 2 | |
| 5 | 92990-06100 | WASHER, spring | 2 | |
| 6 | 90201-06571 | WASHER, plate | 2 | |
| 7 | 3MK-21721-00-98 | COVER, side 2 | 1 | LOW GLOSS BLACK |
| 8 | 2HF-14452-00 | SEAL | 1 | |
| 9 | 3MK-2173F-10 | GRAPHIC 2 | 1 | |
| 10 | 98502-06016 | SCREW, pan head | 1 | |
| 11 | 92990-06100 | WASHER, spring | 1 | |
| 12 | 90201-06571 | WASHER, plate | 1 | |
| 13 | 90159-06032 | SCREW, with washer | 2 | |
| 14 | 98903-06010 | SCREW, bind | 1 | |
| 15 | 3MK-21741-00 | COVER, side 4 | 1 | PURPLISH WHITE SOLID 1 |
| 16 | 3MK-24245-10 | GRAPHIC, fuel tank 2 | 1 | |
| 17 | 3MK-24250-10 | GRAPHIC SET | 1 | |
| 18 | 22W-21791-00 | NUT | 2 | |
| 19 | 90159-05101 | SCREW, with washer | 2 | |
| 20 | 1LR-2172A-00 | PANEL 1 | 1 | |
| 21 | 90480-12053 | GROMMET | 1 | |
| 22 | 90159-06013 | SCREW, with washer | 1 | |



3MK4100-2170

C6



3ML2300-0180

FIG. 18 REAR ARM

| REF. NO. | PART NO. | DESCRIPTION | Q'TY | REMARKS |
|----------|--------------|------------------------|------|---------|
| 1 | 2VE-22110-00 | REAR ARM COMP. | 1 | |
| 2 | 4V1-22141-00 | SHAFT, pivot | 1 | |
| 3 | 90185-12119 | NUT, self-locking | 1 | |
| 4 | 90201-124G9 | WASHER, plate | 1 | |
| 5 | 90385-17042 | BUSH | 2 | |
| 6 | 93317-21746 | BEARING, cylindrical | 2 | |
| 7 | 90387-127J8 | COLLAR | 1 | |
| 8 | 90387-127J7 | COLLAR | 1 | |
| 9 | 93109-17048 | OIL SEAL (SDO 17-24-4) | 2 | |
| 10 | 90201-191J4 | WASHER, plate | 2 | |
| 11 | 401-22127-00 | SHIM | 1 | |
| 12 | 401-22128-01 | SEAL, guard | 2 | |
| 13 | 1LR-22151-00 | SEAL, guard | 1 | |
| 14 | 95026-06025 | BOLT, flange | 2 | |
| 15 | 90201-06067 | WASHER, plate | 2 | |
| 16 | 39K-22199-00 | SUPPORT, chain | 1 | |
| 17 | 91021-08045 | BOLT, flange | 2 | |
| 18 | 95601-08200 | NUT, self-locking | 2 | |
| 19 | 39K-2217A-00 | ARM, relay | 1 | |
| 20 | 90384-18190 | BUSH, bimetal formed | 2 | |
| 21 | 90380-12094 | BUSH, solid | 1 | |
| 22 | 5X6-22129-00 | COVER, thrust 2 | 2 | |
| 23 | 90109-100E4 | BOLT | 1 | |
| 24 | 90201-100E9 | WASHER, plate | 1 | |
| 25 | 90201-120A5 | WASHER, plate | 1 | |
| 26 | 90185-10120 | NUT, self-locking | 1 | |
| 27 | 22W-22124-00 | BUSH 2 | 1 | |
| 28 | 90380-16109 | BUSH, solid | 2 | |

C7

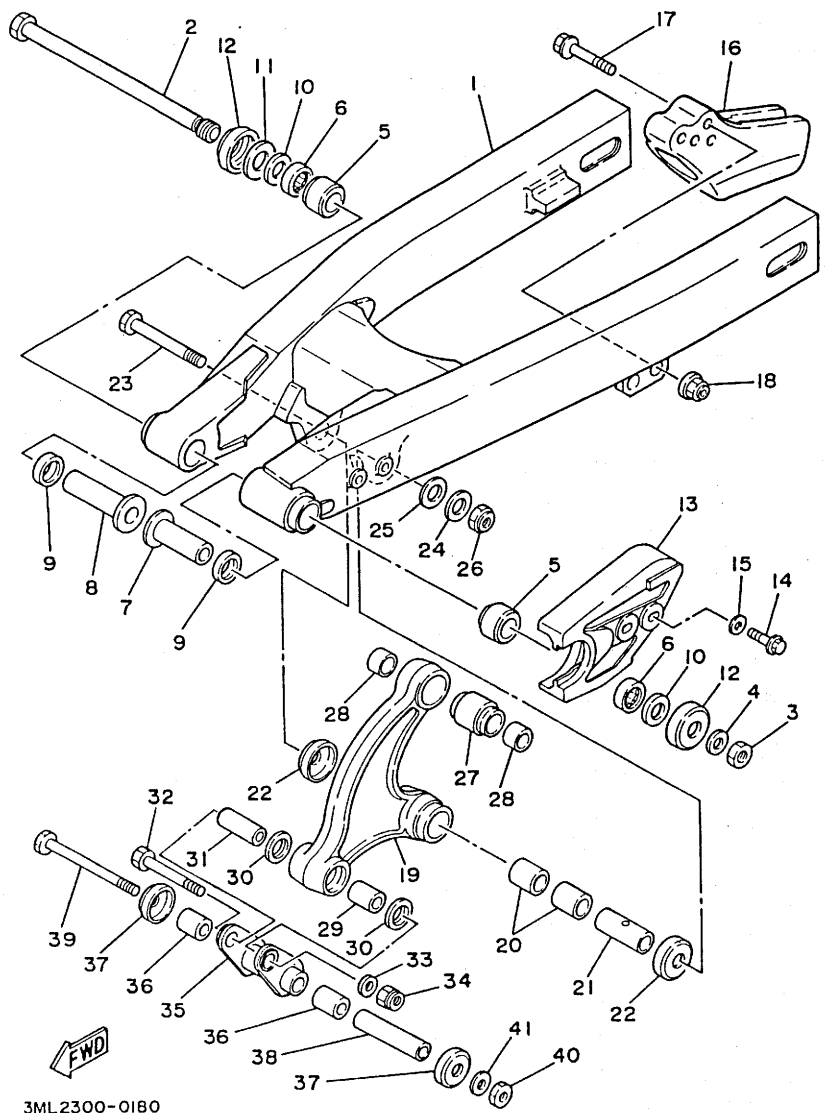
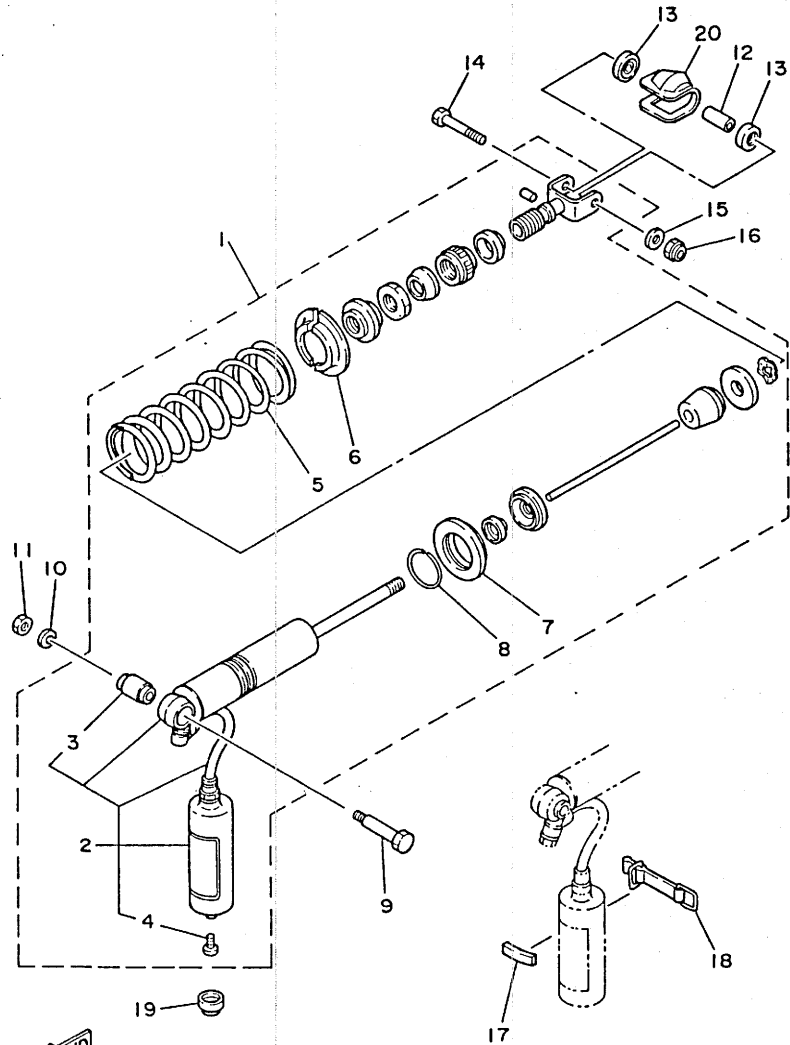


FIG. 18 REAR ARM

| REF. NO. | PART NO. | DESCRIPTION | Q'TY | REMARKS |
|----------|--------------|-------------------|------|---------|
| 29 | 90383-16023 | BUSH, formed | 1 | |
| 30 | 93109-16035 | OIL SEAL | 2 | |
| 31 | 90387-10660 | COLLAR | 1 | |
| 32 | 90109-10689 | BOLT | 1 | |
| 33 | 92990-10600 | WASHER, plate | 1 | |
| 34 | 90185-10120 | NUT, self-locking | 1 | |
| 35 | 22W-2217F-00 | ROD, connecting 1 | 1 | |
| 36 | 90383-16023 | BUSH, formed | 2 | |
| 37 | 22W-22129-00 | COVER, thrust 2 | 2 | |
| 38 | 90387-10569 | COLLAR | 1 | |
| 39 | 90109-10688 | BOLT | 1 | |
| 40 | 90185-10120 | NUT, self-locking | 1 | |
| 41 | 92990-10600 | WASHER, plate | 1 | |

3ML2300-0180



FWD

2VF010-8190

FIG. 19 REAR SUSPENSION

| REF. NO. | PART NO. | DESCRIPTION | Q'TY | REMARKS |
|----------|-----------------|-----------------------------|------|---------------------|
| 1 | 3MK-22210-00-P0 | SHOCK ABSORBER ASSY, rear | 1 | UR |
| | 3ML-22210-00-P0 | SHOCK ABSORBER ASSY, rear | 1 | UR FOR CANADA |
| 2 | 2HF-22201-00 | .DAMPER SUB ASSY | 1 | |
| 3 | 2X6-22216-00 | ..BUSH, rear shock absorber | 1 | |
| 4 | 98501-04006 | ..SCREW, pan head | 1 | |
| 5 | 2HF-22212-00-P0 | .SPRING | 1 | VIVID MAGENTA SOLID |
| 6 | 22W-22214-01 | .GUIDE, spring 1 | 2 | |
| 7 | 22W-22223-00 | .SEAT, spring lower | 1 | |
| 8 | 93440-42101 | .CIRCLIP | 1 | |
| 9 | 90109-10729 | BOLT | 1 | |
| 10 | 92990-10600 | WASHER, plate | 1 | |
| 11 | 90185-10120 | NUT, self-locking | 1 | |
| 12 | 90387-10660 | COLLAR | 1 | |
| 13 | 22W-22129-00 | COVER, thrust 2 | 2 | |
| 14 | 90109-10689 | BOLT | 1 | |
| 15 | 92990-10600 | WASHER, plate | 1 | |
| 16 | 90185-10120 | NUT, self-locking | 1 | |
| 17 | 24X-22261-00 | DAMPER, sub tank | 1 | |
| 18 | 24X-22262-00 | HOLDER, sub tank | 1 | |
| 19 | 90480-17359 | GROMMET | 1 | |
| 20 | 22W-22189-00 | BOOT, rubber | 1 | |

C9

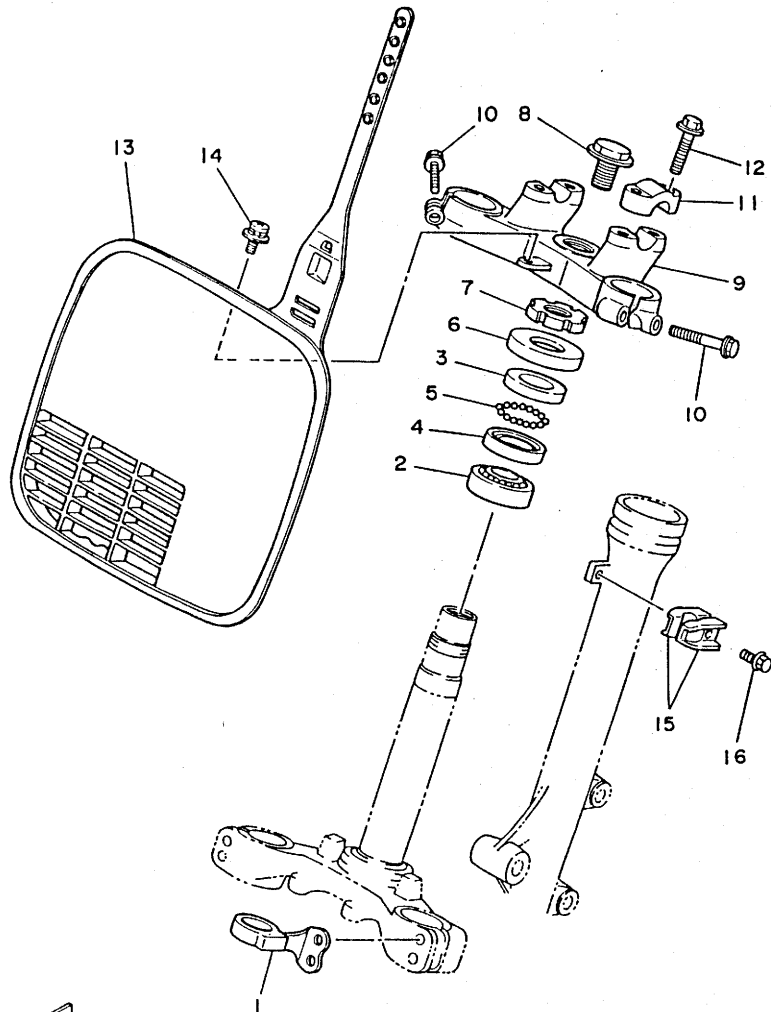


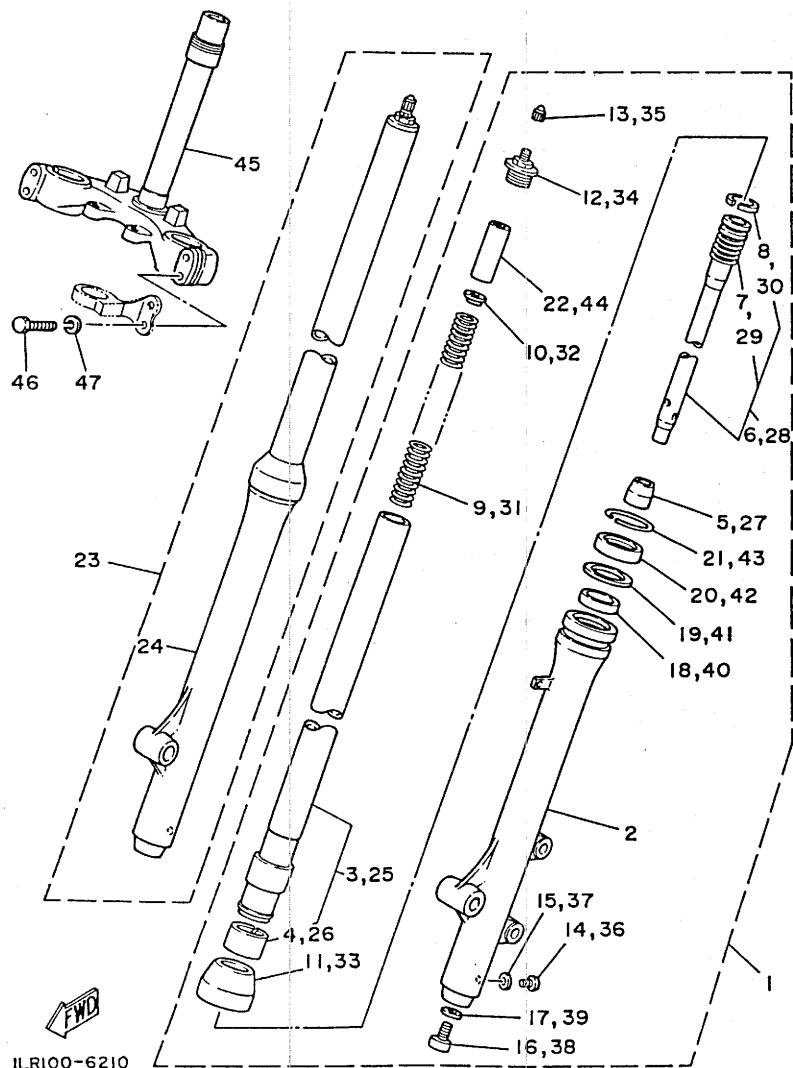
FIG. 20 STEERING

| REF. NO. | PART NO. | DESCRIPTION | Q'TY | REMARKS |
|----------|-----------------|----------------------|------|------------------------|
| 1 | 3R4-23389-00 | GUIDE, cable | 1 | |
| 2 | 93332-00059 | BEARING | 1 | |
| 3 | 122-23411-00 | RACE, ball 1 | 1 | |
| 4 | 122-23412-00 | RACE, ball 2 | 1 | |
| 5 | 93503-16010 | BALL | 22 | |
| 6 | 10V-23416-01 | COVER, ball race 2 | 1 | |
| 7 | 90179-25033 | NUT | 1 | |
| 8 | 90105-14102 | BOLT, washer based | 1 | |
| 9 | 22W-23435-00-35 | CROWN, handle | 1 | SILVER |
| 10 | 91001-08035 | BOLT, flange | 2 | |
| 11 | 3SP-23441-00 | HOLDER, handle upper | 2 | |
| 12 | 91021-08030 | BOLT, flange | 4 | |
| 13 | 3MK-23485-00 | PLATE, number | 1 | PURPLISH WHITE SOLID 1 |
| 14 | 90159-06060 | SCREW, with washer | 1 | |
| 15 | 90465-14242 | CLAMP | 2 | |
| 16 | 95021-06016 | BOLT, flange | 2 | |



3ML4300-2200

C10



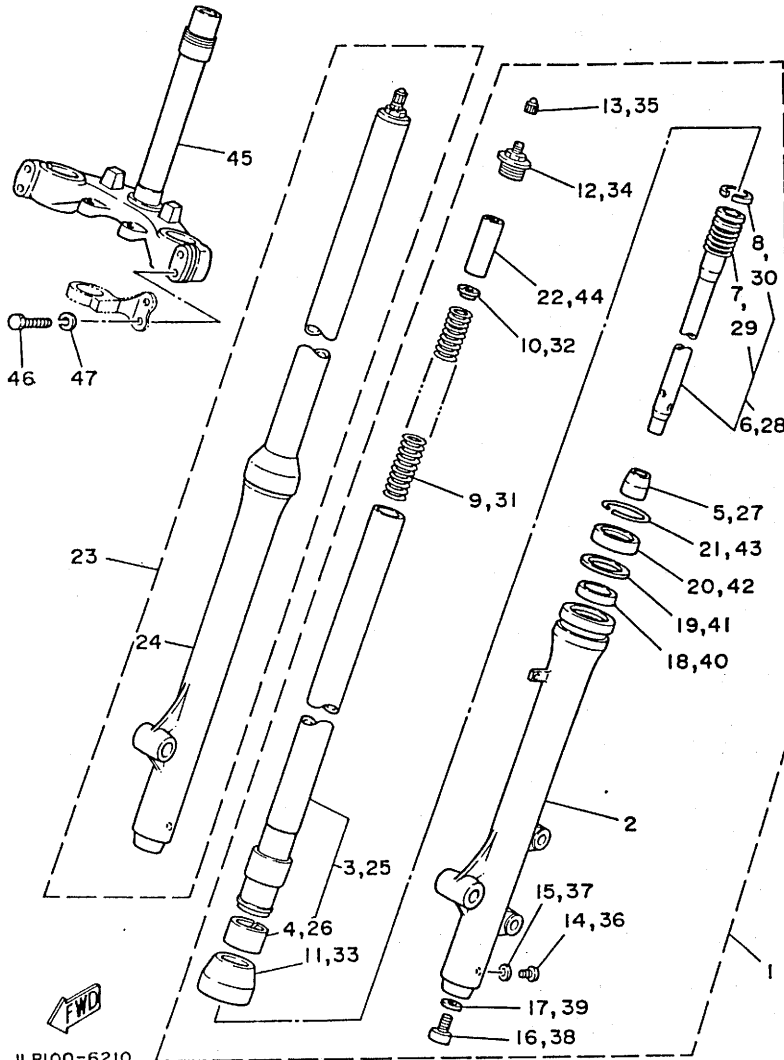
ILR100-6210

FIG. 21 FRONT FORK

| REF. NO. | PART NO. | DESCRIPTION | Q'TY | REMARKS |
|----------|-----------------|------------------------------|------|---------|
| 1 | 2HF-23102-L0 | FRONT FORK ASSY (L.H) | 1 | |
| 2 | 2HF-23126-L0-35 | .TUBE, outer 1 | 1 | SILVER |
| 3 | 58T-23110-L0 | .INNER TUBE COMP.1 | 1 | |
| 4 | 22W-2312K-00 | ..PISTON, front fork | 1 | |
| 5 | 39K-23173-00 | .SPINDLE, taper | 1 | |
| 6 | 39K-23170-L0 | .CYLINDER COMP., front fork | 1 | |
| 7 | 509-23151-L0 | ..SPRING, rebound | 1 | |
| 8 | 22W-23157-L0 | ..RING, piston | 1 | |
| 9 | 39K-23141-00 | .SPRING, front fork (K=0.23) | 1 | |
| 10 | 583-23142-00 | .SEAT, spring upper | 1 | |
| 11 | 22W-23144-L0 | .SEAL, dust | 1 | |
| 12 | 58T-23111-L0 | .BOLT, cap | 2 | |
| 13 | 58T-23184-L0 | .CAP, air valve | 1 | |
| 14 | 4H7-23119-00 | .PLUG, drain | 1 | |
| 15 | 122-23129-00 | .GASKET, drain plug | 1 | |
| 16 | 278-23181-50 | .BOLT, hexagon socket head | 1 | |
| 17 | 509-23158-L0 | .GASKET | 1 | |
| 18 | 22W-23125-L0 | .METAL, slide 1 | 1 | |
| 19 | 22W-23146-L0 | .WASHER, oil seal | 1 | |
| 20 | 22W-23145-L0 | .OIL SEAL | 1 | |
| 21 | 22W-23153-L0 | .RING, snap | 1 | |
| 22 | 58T-23118-L0 | .SPACER | 1 | |
| 23 | 2HF-23103-L0 | FRONT FORK ASSY (R.H) | 1 | |
| 24 | 2HF-23136-L0-35 | .TUBE, outer 2 | 1 | SILVER |
| 25 | 58T-23110-L0 | .INNER TUBE COMP.1 | 1 | |
| 26 | 22W-2312K-00 | ..PISTON, front fork | 1 | |
| 27 | 39K-23173-00 | .SPINDLE, taper | 1 | |
| 28 | 39K-23170-L0 | .CYLINDER COMP., front fork | 1 | |

C11

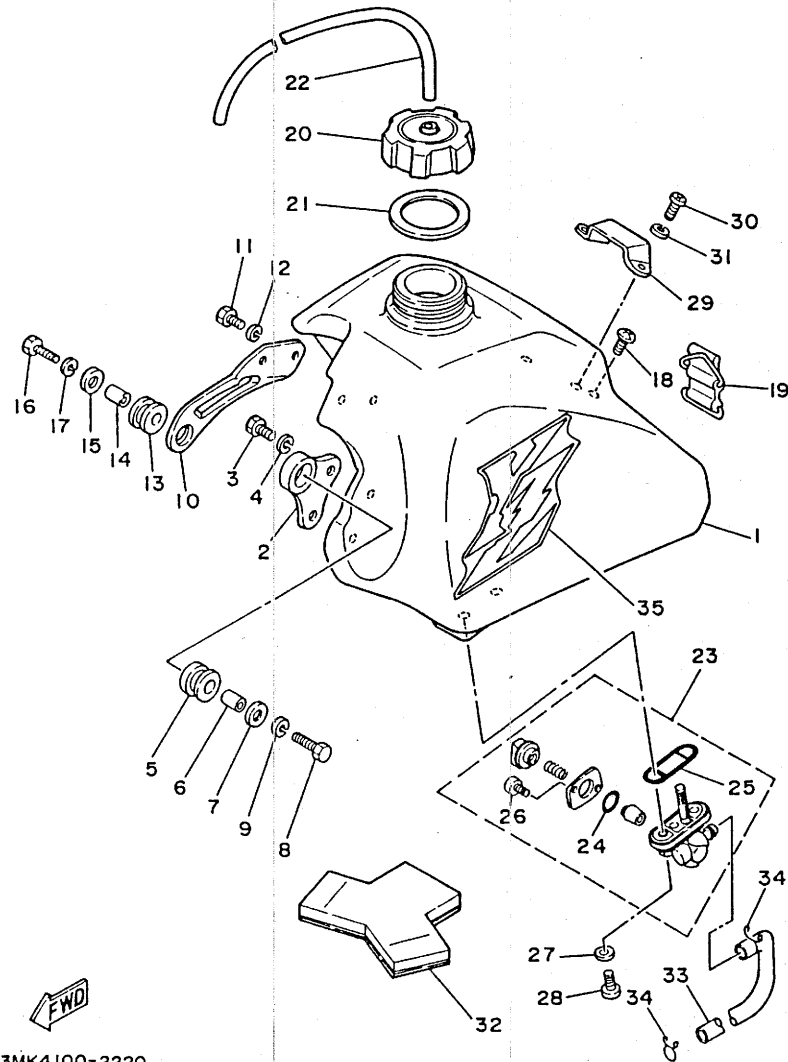
FIG. 21 FRONT FORK



| REF. NO. | PART NO. | DESCRIPTION | Q'TY | REMARKS |
|----------|--------------|-------------------------------|------|---------|
| 29 | 509-23151-L0 | ..SPRING, rebound | 1 | |
| 30 | 22W-23157-L0 | ..RING, piston | 1 | |
| 31 | 39K-23141-00 | ..SPRING, front fork (K=0.23) | 1 | |
| 32 | 583-23142-00 | ..SEAT, spring upper | 1 | |
| 33 | 22W-23144-L0 | ..SEAL, dust | 1 | |
| 34 | 58T-23111-L0 | ..BOLT, cap | 1 | |
| 35 | 58T-23184-L0 | ..CAP, air valve | 1 | |
| 36 | 4H7-23119-00 | ..PLUG, drain | 1 | |
| 37 | 122-23129-00 | ..GASKET, drain plug | 1 | |
| 38 | 278-23181-50 | ..BOLT, hexagon socket head | 1 | |
| 39 | 509-23158-L0 | ..GASKET | 1 | |
| 40 | 22W-23125-L0 | ..METAL, slide 1 | 1 | |
| 41 | 22W-23146-L0 | ..WASHER, oil seal | 1 | |
| 42 | 22W-23145-L0 | ..OIL SEAL | 1 | |
| 43 | 22W-23153-L0 | ..RING, snap | 1 | |
| 44 | 58T-23118-L0 | ..SPACER | 1 | |
| 45 | 39K-23340-L0 | UNDER BRACKET COMP. | 1 | |
| 46 | 97313-08040 | BOLT | 4 | |
| 47 | 92990-08100 | WASHER, spring | 4 | |

ILR100-6210

FIG. 22 FUEL TANK



| REF. NO. | PART NO. | DESCRIPTION | Q'TY | REMARKS |
|----------|--------------|----------------------|------|------------------------|
| 1 | 3MK-24110-00 | FUEL TANK COMP. | 1 | PURPLISH WHITE SOLID 1 |
| 2 | 1LR-24157-00 | STAY, fuel tank 1 | 1 | |
| 3 | 97003-06012 | BOLT | 2 | |
| 4 | 92990-06100 | WASHER, spring | 2 | |
| 5 | 90480-18290 | GROMMET | 1 | |
| 6 | 90387-07598 | COLLAR | 1 | |
| 7 | 90201-06072 | WASHER, plate | 1 | |
| 8 | 97021-06030 | BOLT | 1 | |
| 9 | 92990-06100 | WASHER, spring | 1 | |
| 10 | 22W-24158-00 | STAY, fuel tank 2 | 1 | |
| 11 | 97003-06012 | BOLT | 2 | |
| 12 | 92990-06100 | WASHER, spring | 2 | |
| 13 | 90480-18290 | GROMMET | 1 | |
| 14 | 90387-07598 | COLLAR | 1 | |
| 15 | 90201-06072 | WASHER, plate | 1 | |
| 16 | 97021-06030 | BOLT | 1 | |
| 17 | 92990-06100 | WASHER, spring | 1 | |
| 18 | 98980-06020 | SCREW, bind | 1 | |
| 19 | 59V-24173-00 | BAND, tank fitting 1 | 1 | |
| 20 | 5X7-24611-01 | BODY, cap | 1 | |
| 21 | 5X7-24612-00 | GASKET, cap | 1 | |
| 22 | 90445-09304 | HOSE | 1 | |
| 23 | 2VE-24500-01 | FUEL COCK ASSY 1 | 1 | |
| 24 | 4X8-24534-00 | .SEAL, cock | 1 | |
| 25 | 4X8-24512-00 | .O-RING | 1 | |
| 26 | 98503-03008 | .SCREW, pan head | 2 | |
| 27 | 90202-05193 | WASHER, plate | 2 | |
| 28 | 90149-06011 | SCREW | 2 | |



3MK4100-2220

C13

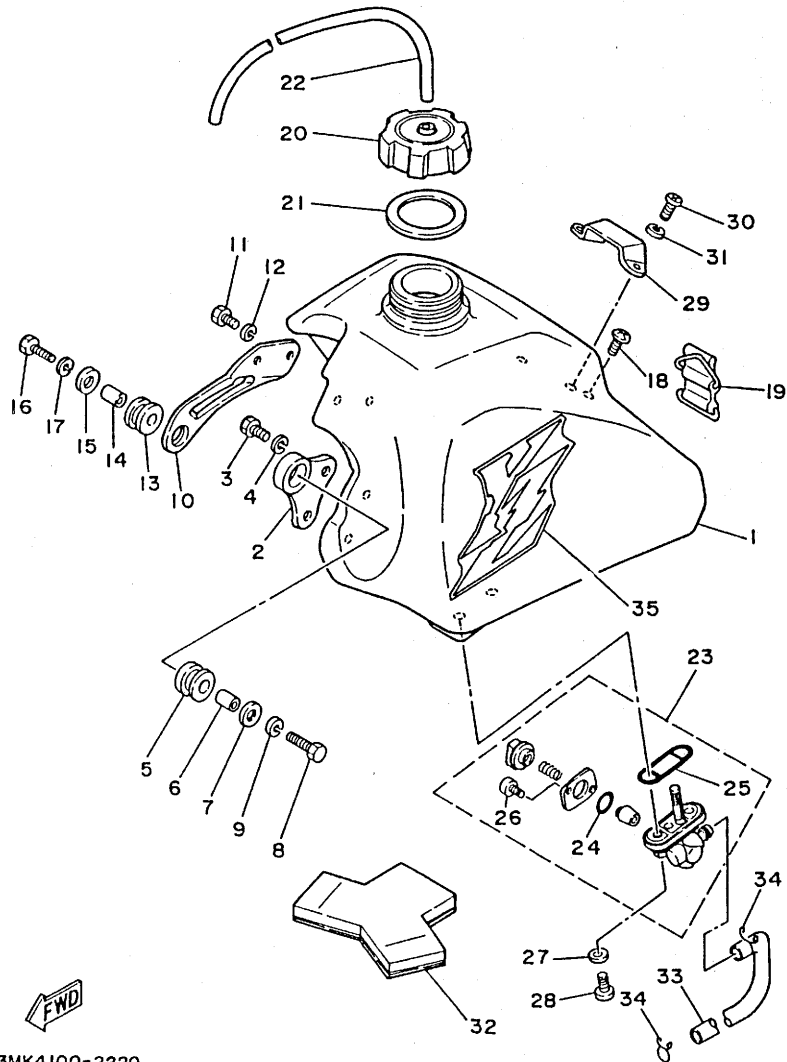


FIG. 22 FUEL TANK

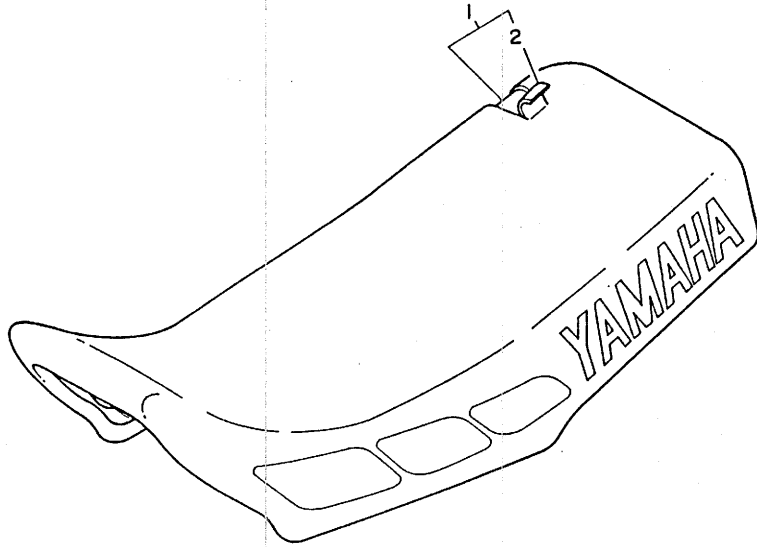
| REF. NO. | PART NO. | DESCRIPTION | Q'TY | REMARKS |
|----------|--------------|----------------------|------|---------|
| 29 | 5X7-2412F-00 | BRACKET, seat | 1 | |
| 30 | 98501-06012 | SCREW, pan head | 2 | |
| 31 | 92990-06100 | WASHER, spring | 2 | |
| 32 | 22W-24183-00 | DAMPER, locating 3 | 1 | |
| 33 | 1LR-24311-00 | PIPE, fuel 1 | 1 | |
| 34 | 90467-10008 | CLIP | 2 | |
| 35 | 3MK-24244-10 | GRAPHIC, fuel tank 1 | 1 | |

3MK4100-2220

C14

FIG. 23 SEAT

| REF. NO. | PART NO. | DESCRIPTION | Q'TY | REMARKS |
|----------|--------------|-----------------------|------|---------|
| 1 | 3MK-24770-00 | SEMI-DOUBLE SEAT ASSY | 1 | |
| 2 | 3MK-24731-00 | .COVER, seat | 1 | |



3ML2300-0230

C15

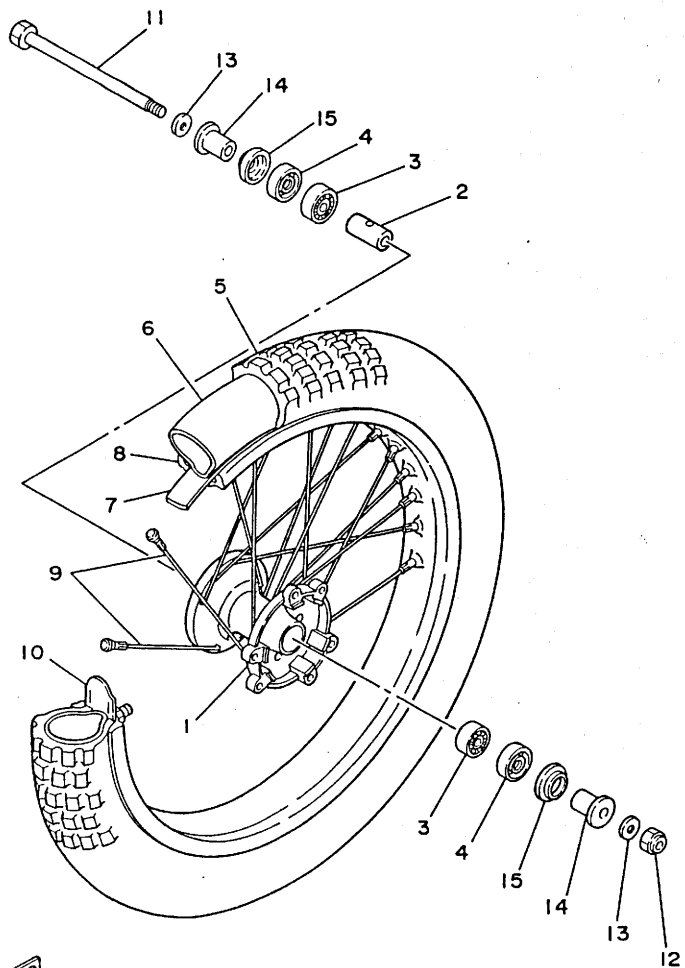


FIG. 24 FRONT WHEEL

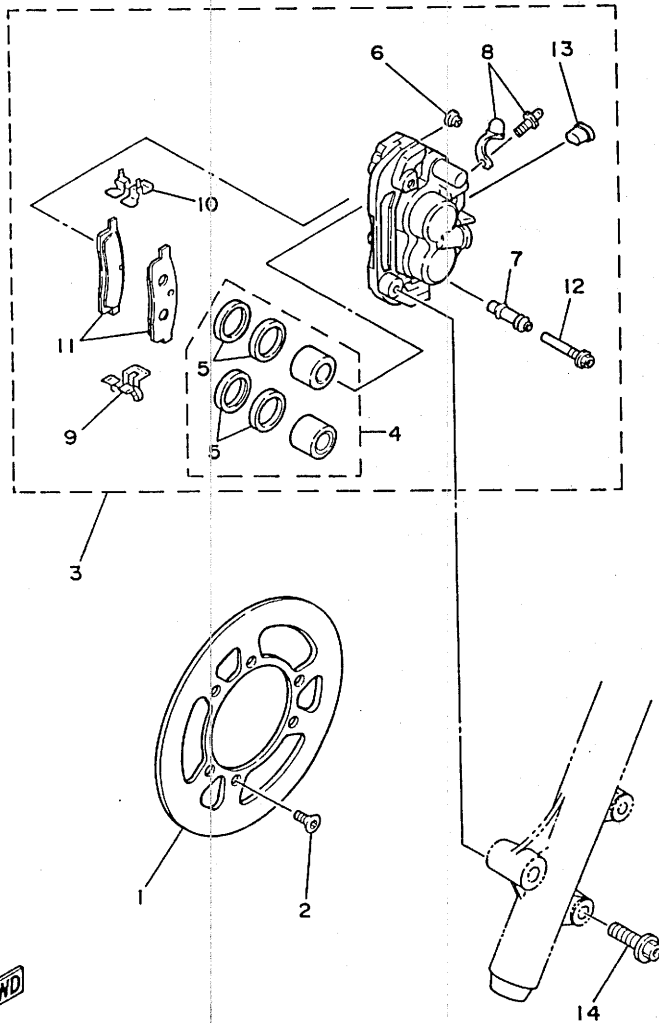
| REF. NO. | PART NO. | DESCRIPTION | Q'TY | REMARKS |
|----------|-----------------|---------------------|------|-----------------|
| 1 | 1LR-25111-00-98 | HUB, front | 1 | LOW GLOSS BLACK |
| 2 | 90560-12257 | SPACER | 1 | |
| 3 | 93306-00105 | BEARING (B6001) | 2 | |
| 4 | 93106-18013 | OIL SEAL | 2 | |
| 5 | 94107-177R6 | TIRE (70/100-17) | 1 | INOUE |
| 6 | 94208-17255 | TUBE (80/80-17) | 1 | INOUE |
| 7 | 94332-17112 | BAND, rim (3.25-17) | 1 | INOUE |
| 8 | 94414-17428 | RIM (1.40-17) | 1 | |
| 9 | 1LR-25104-00 | SPOKE SET, front | 1 | |
| 10 | 1T1-25194-00 | SPACER, bead | 1 | |
| 11 | 22W-25181-01 | AXLE, wheel | 1 | |
| 12 | 90185-12046 | NUT, self-locking | 1 | |
| 13 | 90201-122A7 | WASHER, plate | 2 | |
| 14 | 90387-126F8 | COLLAR | 2 | |
| 15 | 462-25118-00 | COVER, hub dust | 2 | |



ILR100-6241

D2

FIG. 25 FRONT BRAKE CALIPER

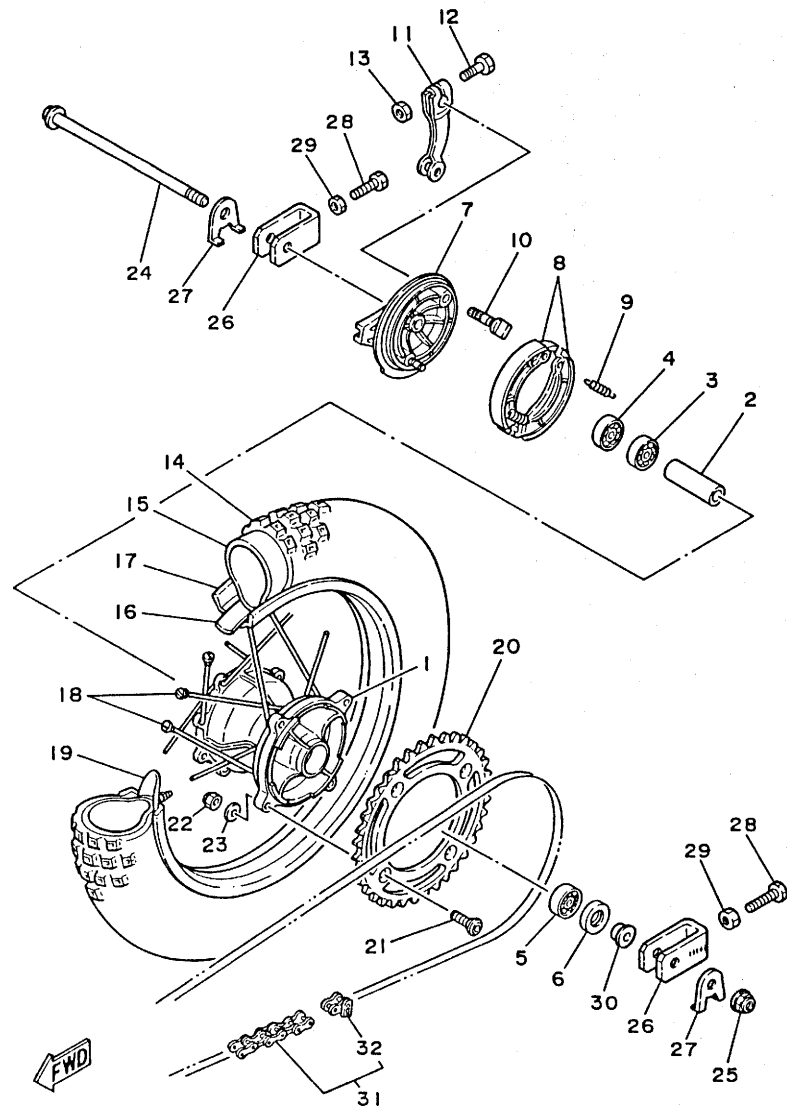


| REF. NO. | PART NO. | DESCRIPTION | Q'TY | REMARKS |
|----------|--------------|-----------------------|------|---------|
| 1 | 1LR-25831-00 | DISC, brake (RIGHT) | 1 | |
| 2 | 90149-06248 | SCREW | 6 | |
| 3 | 3MK-2580T-00 | CALIPER ASSY (LEFT) | 1 | |
| 4 | 1LR-W0057-00 | .PISTON ASSY, caliper | 1 | |
| 5 | 1LR-W0047-00 | ..CALIPER SEAL KIT | 1 | |
| 6 | 5R2-25937-00 | .BOOT 2 | 1 | |
| 7 | 56A-25937-00 | .BOOT 2 | 1 | |
| 8 | 51L-W0048-00 | .BREED SCREW KIT | 1 | |
| 9 | 56A-25919-00 | .SUPPORT, pad | 1 | |
| 10 | 56A-25919-10 | .SUPPORT, pad | 1 | |
| 11 | 2HF-W0046-00 | .BRAKE PAD KIT, rear | 1 | |
| 12 | 56A-25926-00 | .BOLT | 1 | |
| 13 | 34X-25845-00 | .CAP, indicator | 1 | |
| 14 | 95811-08035 | BOLT, flange | 2 | |



2VF010-8250

D3

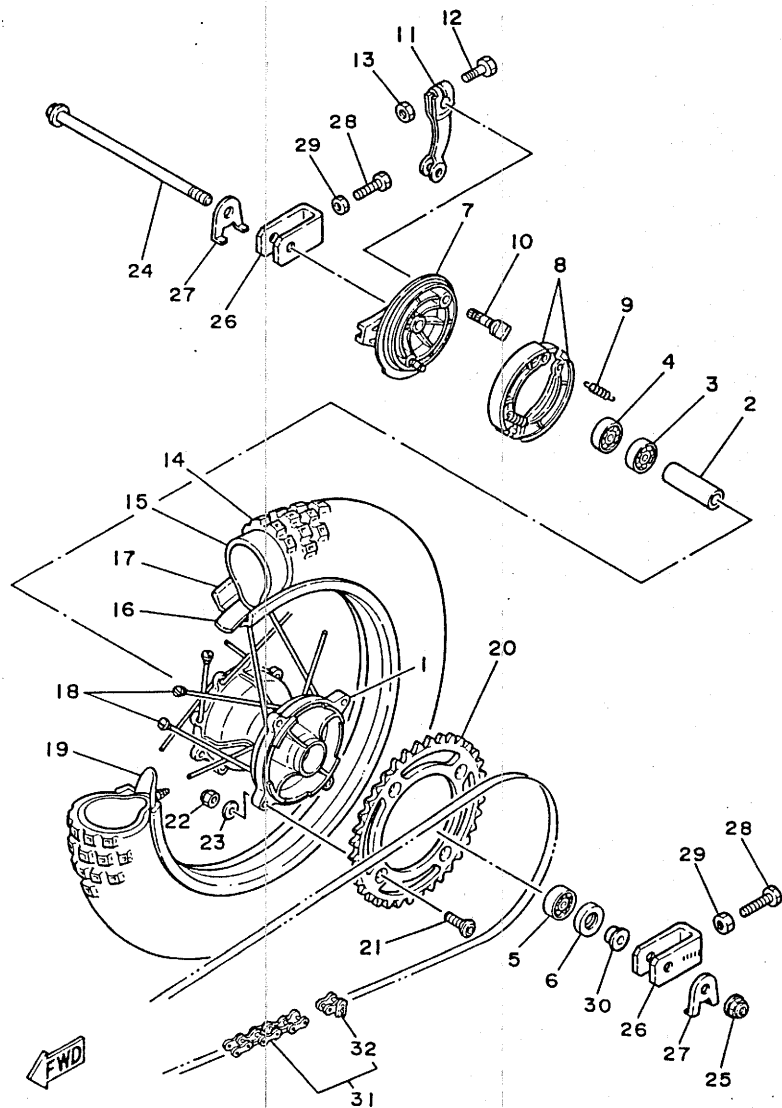


2HF100-7260

FIG. 26 REAR WHEEL

| REF. NO. | PART NO. | DESCRIPTION | Q'TY | REMARKS |
|----------|-----------------|------------------------|------|-----------------|
| 1 | 39K-25311-00-98 | HUB, rear | 1 | LOW GLOSS BLACK |
| 2 | 90560-12320 | SPACER | 1 | |
| 3 | 93306-00108 | BEARING | 1 | |
| 4 | 93306-00105 | BEARING (B6001) | 1 | |
| 5 | 93306-30101 | BEARING (B6301) | 1 | |
| 6 | 93106-20002 | OIL SEAL | 1 | |
| 7 | 39K-25321-00-98 | PLATE, brake shoe | 1 | LOW GLOSS BLACK |
| 8 | 39K-W2535-00 | BRAKE SHOE SET | 1 | |
| 9 | 90506-14081 | SPRING, tension | 2 | |
| 10 | 4N0-25151-00 | CAMSHAFT | 1 | |
| 11 | 3R0-25355-11 | LEVER, camshaft | 1 | |
| 12 | 90101-06278 | BOLT | 1 | |
| 13 | 95303-06600 | NUT | 1 | |
| 14 | 94109-147R7 | TIRE (90/100-14) | 1 | INOUE |
| 15 | 94232-14174 | TUBE (3.25-14) | 1 | INOUE |
| 16 | 94327-14076 | BAND, rim (2.75-14) | 1 | INOUE |
| 17 | 94416-14375 | RIM (1.60-14) | 1 | |
| 18 | 39K-25304-00 | SPOKE SET, rear | 1 | |
| 19 | 5X2-25394-00 | SPACER, bead | 1 | |
| 20 | 39K-25446-00 | SPROCKET, driven (46T) | 1 | STD |
| | 39K-25444-01 | SPROCKET, driven (44T) | 1 | AP |
| | 39K-25448-00 | SPROCKET, driven (48T) | 1 | AP |
| | 39K-25450-01 | SPROCKET, driven (50T) | 1 | AP |
| 21 | 90109-08706 | BOLT | 4 | |
| 22 | 95611-08100 | NUT, u | 4 | |
| 23 | 90201-081A6 | WASHER, plate | 4 | |
| 24 | 1LR-25381-01 | AXLE, wheel | 1 | |
| 25 | 95601-12200 | NUT, self-locking | 1 | |

D4



2HF100-7260

FIG. 26 REAR WHEEL

| REF. NO. | PART NO. | DESCRIPTION | Q'TY | REMARKS |
|----------|--------------|----------------------------|------|---------|
| 26 | 2HF-25388-00 | PULLER, chain 1 | 2 | |
| 27 | 51L-2533A-00 | PLATE, indicator | 2 | |
| 28 | 90101-08699 | BOLT | 2 | |
| 29 | 95303-08700 | NUT | 2 | |
| 30 | 90387-126R2 | COLLAR | 1 | |
| 31 | 94580-24112 | CHAIN, drive (DID428 112L) | 1 | |
| 32 | 94680-24001 | .JOINT, chain (DID 428) | 1 | |

D5

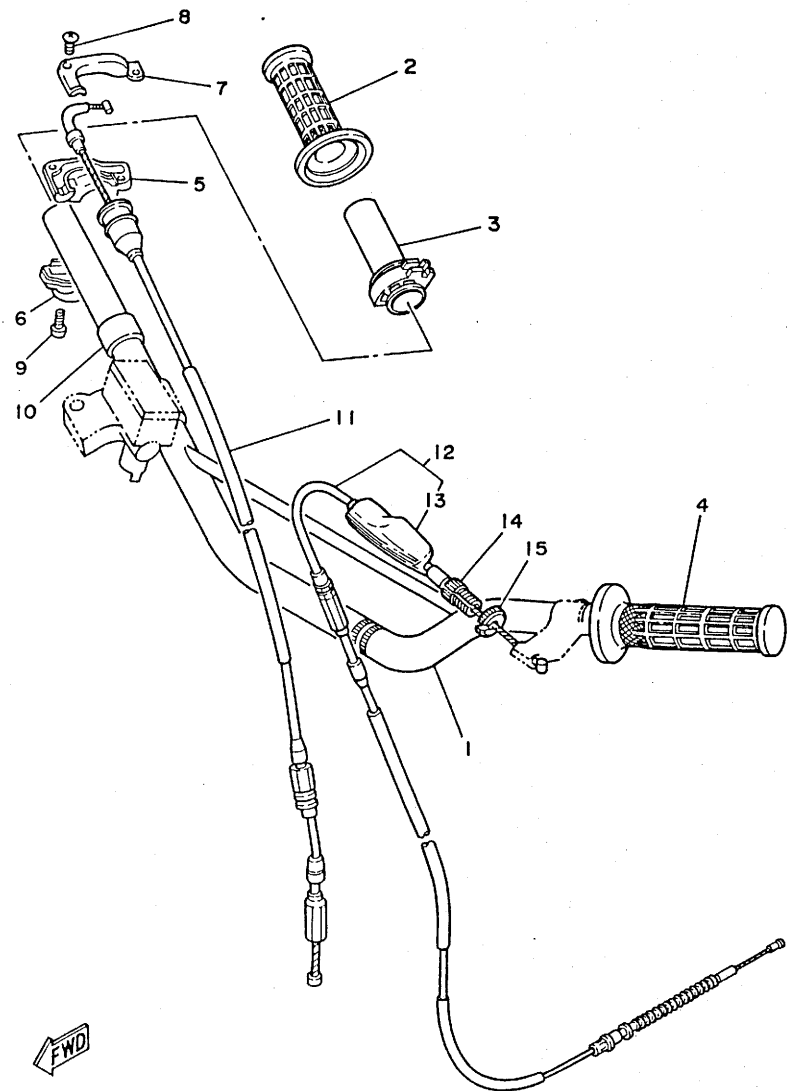


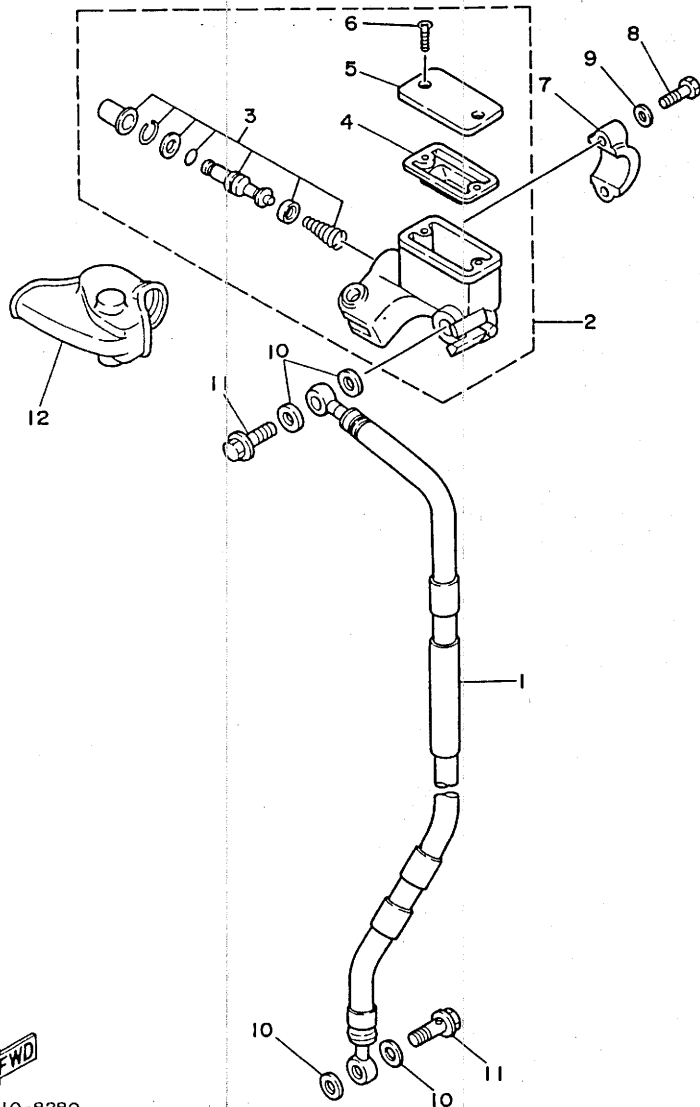
FIG. 27 STEERING HANDLE. CABLE

| REF. NO. | PART NO. | DESCRIPTION | Q'TY | REMARKS |
|----------|-----------------|------------------------|------|---------|
| 1 | 2HF-26111-00-35 | HANDLEBAR | 1 | SILVER |
| 2 | 1LX-26242-01 | GRIP (R.H) | 1 | |
| 3 | 22W-26243-00 | TUBE, throttle guide | 1 | |
| 4 | 1LX-26241-01 | GRIP (L.H) | 1 | |
| 5 | 5X2-26281-00 | CAP, grip upper | 1 | |
| 6 | 322-26282-00 | CAP, grip lower | 1 | |
| 7 | 5X2-2628H-01 | CAP, wire | 1 | |
| 8 | 98706-04012 | SCREW, flat head | 2 | |
| 9 | 98506-05016 | SCREW, pan head | 2 | |
| 10 | 90387-22647 | COLLAR | 1 | |
| 11 | 22W-26311-00 | CABLE, throttle 1 | 1 | |
| 12 | 39K-26335-01 | CABLE, clutch | 1 | |
| 13 | 382-26372-01 | .COVER, handle lever 1 | 1 | |
| 14 | 90123-08013 | BOLT | 1 | |
| 15 | 90179-08148 | NUT | 1 | |

3MK4100-2270

D6

FIG. 28 FRONT MASTER CYLINDER



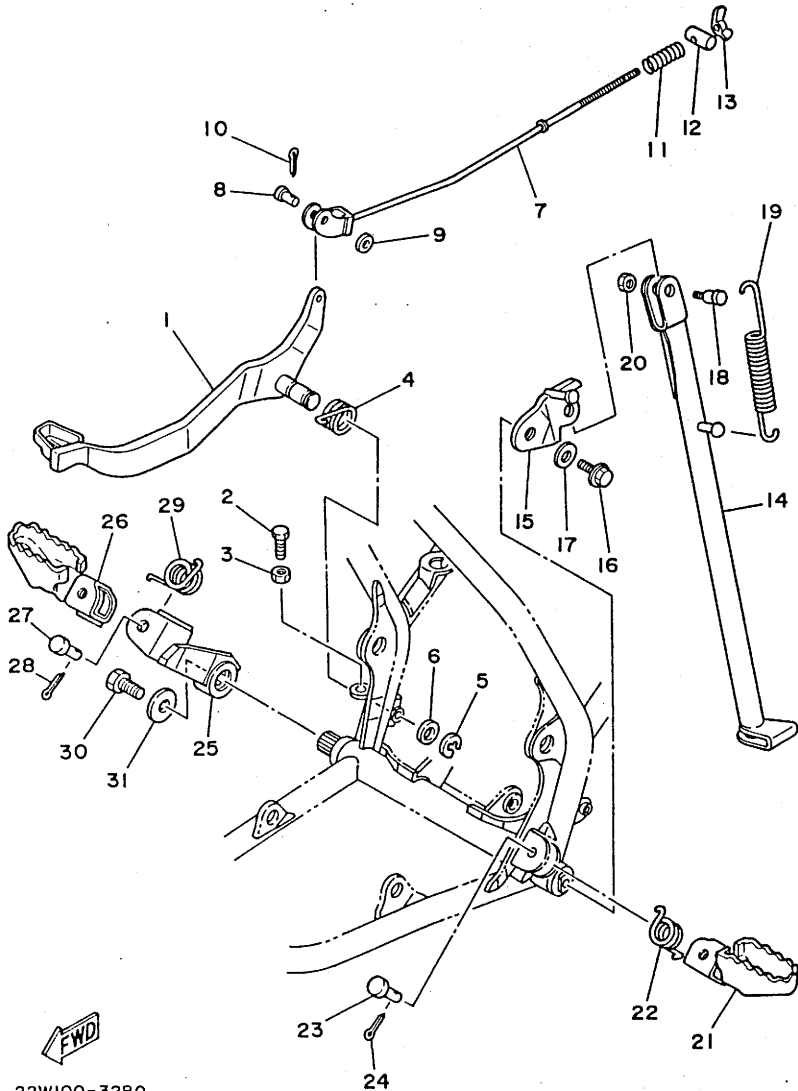
| REF. NO. | PART NO. | DESCRIPTION | Q'TY | REMARKS |
|----------|--------------|--------------------------|------|---------|
| 1 | 2HF-25872-00 | HOSE, brake 1 | 1 | |
| 2 | 2VN-25870-00 | MASTER CYLINDER SUB ASSY | 1 | |
| 3 | 56A-W0041-00 | .CYLINDER KIT, master | 1 | |
| 4 | 56A-25854-00 | .DIAPHRAGM, reservoir | 1 | |
| 5 | 2VN-25852-00 | .CAP, reservoir | 1 | |
| 6 | 98706-04012 | .SCREW, flat head | 2 | |
| 7 | 56A-25867-00 | BRACKET, master cylinder | 1 | |
| 8 | 97016-06025 | BOLT | 2 | |
| 9 | 92906-06600 | WASHER, plate | 2 | |
| 10 | 90201-10118 | WASHER, plate | 4 | |
| 11 | 90401-10034 | BOLT, union | 2 | |
| 12 | 56A-26372-01 | COVER, handle lever 1 | 1 | |


2VF010-8280

D7

FIG. 29 STAND, FOOTREST

| REF. NO. | PART NO. | DESCRIPTION | Q'TY | REMARKS |
|----------|-----------------|---------------------|------|----------------------------|
| 1 | 11R-27211-00 | PEDAL, brake | 1 | |
| 2 | 97003-06012 | BOLT | 1 | |
| 3 | 95303-06700 | NUT | 1 | |
| 4 | 90508-32468 | SPRING, torsion | 1 | |
| 5 | 99001-09600 | CIRCLIP | 1 | |
| 6 | 92902-12600 | WASHER, plate | 1 | |
| 7 | 39K-27231-00 | ROD, brake | 1 | |
| 8 | 90240-06040 | PIN, clevis | 1 | |
| 9 | 92901-06200 | WASHER, plain | 1 | |
| 10 | 91401-20015 | PIN, cotter | 1 | |
| 11 | 90501-10245 | SPRING, compression | 1 | |
| 12 | 90249-12008 | PIN | 1 | |
| 13 | 90175-06016 | NUT, wing | 1 | |
| 14 | 22W-27311-00-R4 | STAND, side | 1 | BLACK (FOR ELECTRODEPOSIT) |
| 15 | 22W-27321-00 | BRACKET, side stand | 1 | |
| 16 | 95811-10016 | BOLT, flange | 1 | |
| 17 | 90201-102A2 | WASHER, plate | 1 | |
| 18 | 90109-08666 | BOLT | 1 | |
| 19 | 90506-26270 | SPRING, tension | 1 | |
| 20 | 95303-08700 | NUT | 1 | |
| 21 | 22W-27411-01-90 | FOOTREST 1 | 1 | UNI CHROME (BLACK) |
| 22 | 90508-20023 | SPRING, torsion | 1 | |
| 23 | 90249-08195 | PIN | 1 | |
| 24 | 91401-25015 | PIN, cotter | 1 | |
| 25 | 5X2-27422-01-33 | BRACKET, footrest 2 | 1 | YAMAHA BLACK |
| 26 | 22W-27421-01-90 | FOOTREST 2 | 1 | UNI CHROME (BLACK) |
| 27 | 90249-08195 | PIN | 1 | |
| 28 | 91401-25015 | PIN, cotter | 1 | |

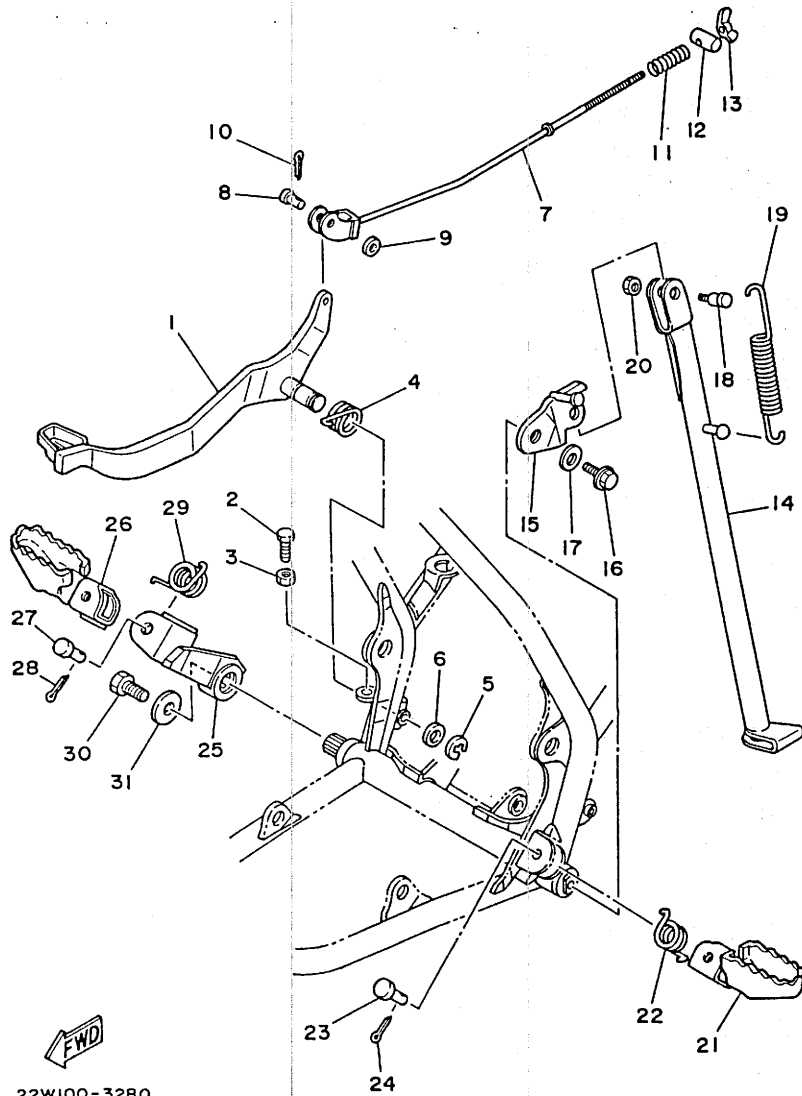


22W100-3280

D8

FIG. 29 STAND. FOOTREST

| REF. NO. | PART NO. | DESCRIPTION | Q'TY | REMARKS |
|----------|-------------|-----------------|------|---------|
| 29 | 90508-20023 | SPRING, torsion | 1 | |
| 30 | 97011-10022 | BOLT | 1 | |
| 31 | 90201-10144 | WASHER, plate | 1 | |




22W100-3280

D9

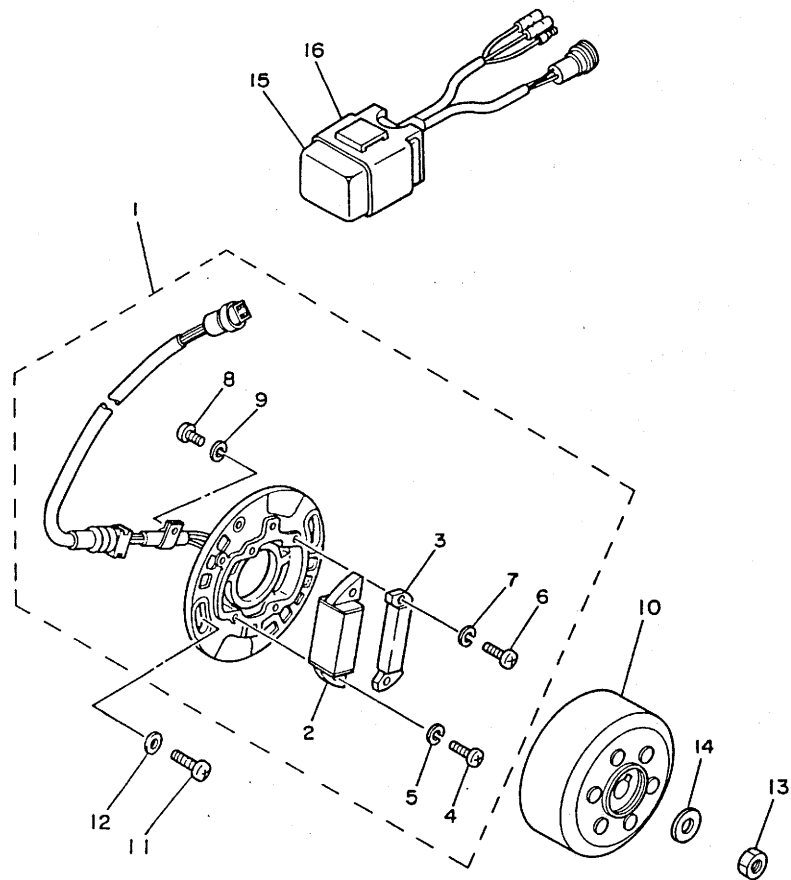


FIG. 30 GENERATOR

| REF. NO. | PART NO. | DESCRIPTION | Q'TY | REMARKS |
|----------|--------------|------------------|------|---------|
| 1 | 1LR-85510-20 | STATOR ASSY | 1 | |
| 2 | 39K-85512-20 | .COIL, source | 1 | |
| 3 | 39K-85580-20 | .COIL, pulser | 1 | |
| 4 | 98511-04025 | .SCREW, pan head | 2 | |
| 5 | 92902-04100 | .WASHER, spring | 2 | |
| 6 | 98503-04014 | .SCREW, pan head | 2 | |
| 7 | 92902-04100 | .WASHER, spring | 2 | |
| 8 | 98580-04008 | .SCREW, pan head | 1 | |
| 9 | 92902-04100 | .WASHER, spring | 1 | |
| 10 | 39K-85550-20 | ROTOR ASSY | 1 | |
| 11 | 98502-06016 | SCREW, pan head | 2 | |
| 12 | 92901-06600 | WASHER, plate | 2 | |
| 13 | 95311-10600 | NUT | 1 | |
| 14 | 90201-10774 | WASHER, plate | 1 | |
| 15 | 1LR-85540-20 | C.D.I. UNIT ASSY | 1 | |
| 16 | 2A7-85546-00 | BAND | 1 | |

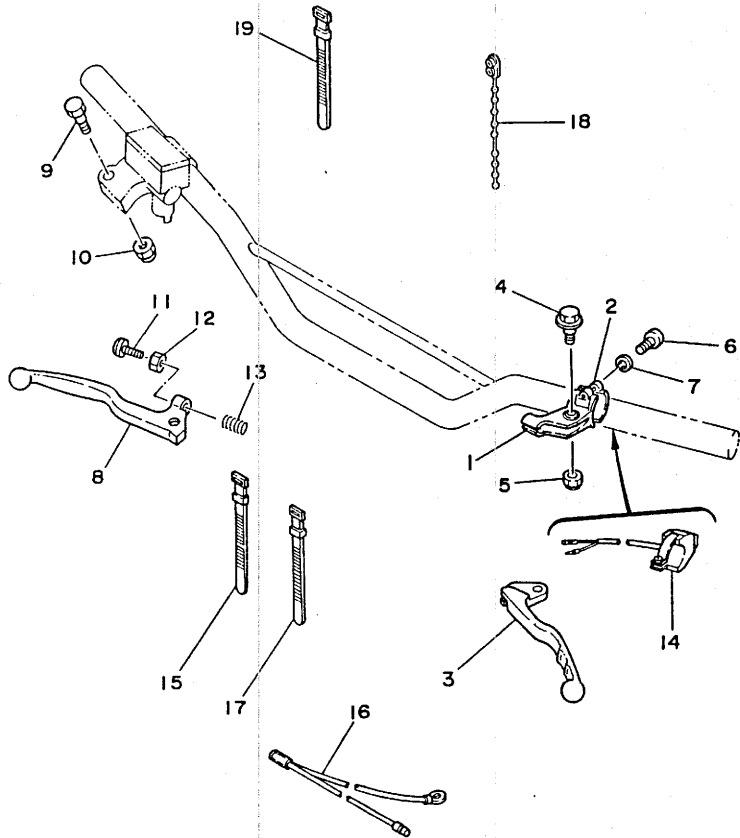


ILR100-6300

D10

FIG. 31 HANDLE SWITCH. LEVER

| REF. NO. | PART NO. | DESCRIPTION | Q'TY | REMARKS |
|----------|--------------|-----------------------|------|---------|
| 1 | 38V-82911-00 | HOLDER, lever 1 | 1 | |
| 2 | 38V-82913-00 | HOLDER, lever lower 1 | 1 | |
| 3 | 23X-83912-00 | LEVER 1 | 1 | |
| 4 | 90109-06799 | BOLT | 1 | |
| 5 | 95616-06100 | NUT, u | 1 | |
| 6 | 98506-05018 | SCREW, pan head | 2 | |
| 7 | 92906-05100 | WASHER, spring | 2 | |
| 8 | 55Y-83922-00 | LEVER 2 | 1 | |
| 9 | 90109-06577 | BOLT | 1 | |
| 10 | 95616-06100 | NUT, u | 1 | |
| 11 | 90149-06153 | SCREW | 1 | |
| 12 | 90170-06010 | NUT | 1 | |
| 13 | 90501-10312 | SPRING, compression | 1 | |
| 14 | 23X-83976-00 | SWITCH, handle 1 | 1 | |
| 15 | 437-83936-01 | BAND, switch cord | 2 | |
| 16 | 5X1-82519-01 | WIRE, earth lead | 1 | |
| 17 | 437-83936-11 | BAND, switch cord | 1 | |
| 18 | 90464-20031 | CLAMP | 1 | |
| 19 | 25G-83936-01 | BAND, switch cord | 1 | |

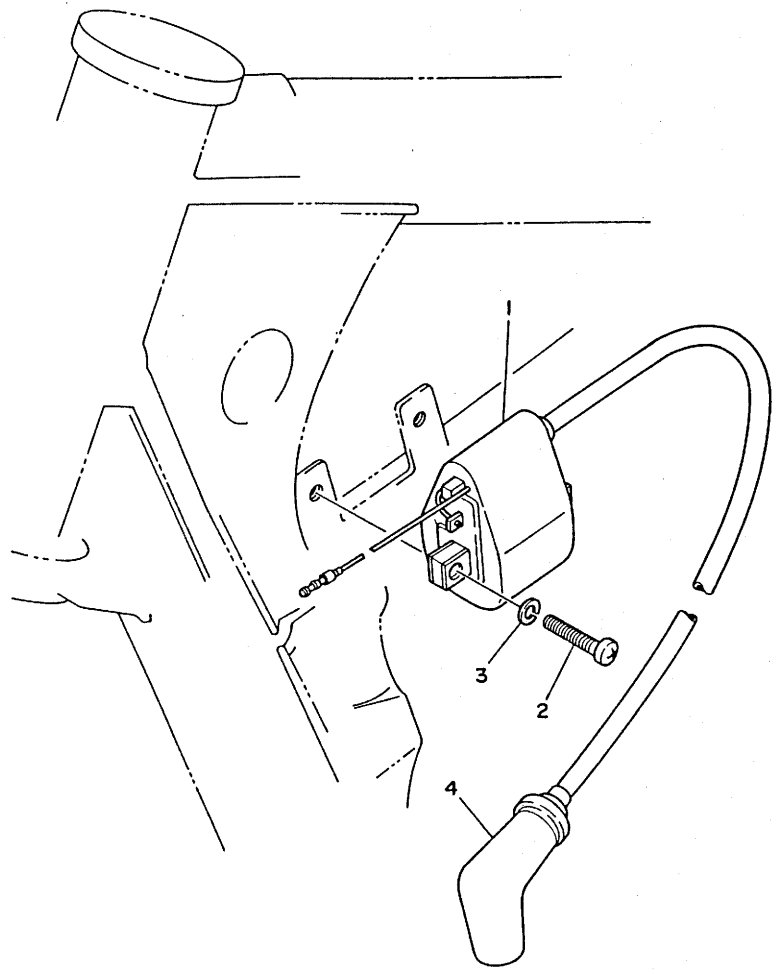


FWD
2HF100-7310

D11

FIG. 32 ELECTRICAL 1

| REF. NO. | PART NO. | DESCRIPTION | Q'TY | REMARKS |
|----------|--------------|--------------------|------|-----------------------|
| 1 | 39K-82310-40 | IGNITION COIL ASSY | 1 | |
| 2 | 98501-06020 | SCREW, pan head | 2 | |
| 3 | 92990-06100 | WASHER, spring | 2 | |
| 4 | 2TV-82370-00 | PLUG CAP ASSY | 1 | WITH NOISE SUPPRESSOR |



22W100-3291

D12

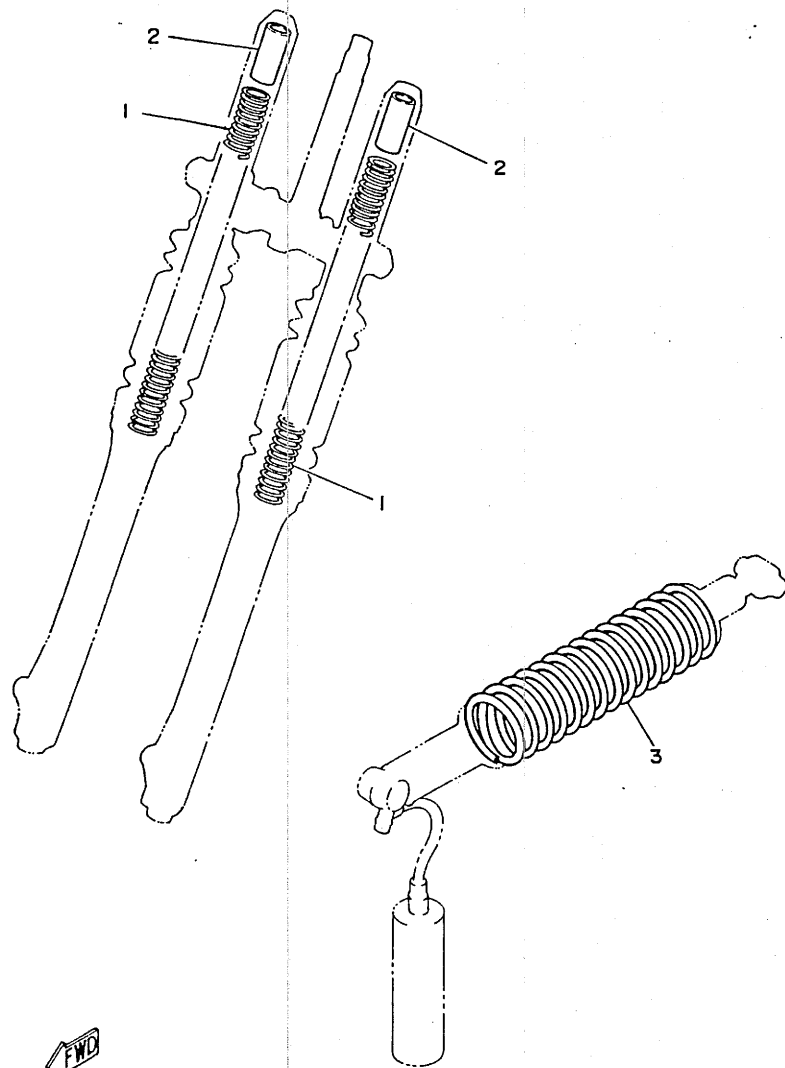


FIG. 33 ALTERNATE 1 (CHASSIS)

| REF. NO. | PART NO. | DESCRIPTION | Q'TY | REMARKS |
|----------|-----------------|-----------------------------|------|-------------------------------|
| 1 | 39K-23141-20 | SPRING, front fork (K=0.25) | 2 | AP (HARD) |
| 2 | 47J-23118-00 | SPACER | 2 | AP |
| 3 | 2HF-22212-20-P0 | SPRING | 1 | UR (SOFT) VIVID MAGENTA SOLID |
| | 2HF-22212-30-P0 | SPRING | 1 | UR (HARD) VIVID MAGENTA SOLID |



58T100-5310

D13

FIG. 34 REPAIR KIT

| REF. NO. | PART NO. | DESCRIPTION | Q'TY | REMARKS |
|----------|-----------------|-----------------------|------|---------|
| 1 | 2VE-11630-A1 | PISTON ASSY | 1 | AP |
| 2 | 2VE-11631-00-94 | .PISTON (STD) | 1 | |
| 3 | 39K-11611-00 | .RING, piston | 1 | |
| 4 | 4V1-11633-00 | .PIN, piston | 1 | |
| 5 | 93450-13130 | .CIRCLIP | 2 | |
| 6 | 2VE-11630-E1 | PISTON ASSY | 1 | AP |
| 7 | 2VE-11635-00 | .PISTON (0.25MM O/S) | 1 | |
| 8 | 39K-11611-10 | .RING, piston | 1 | |
| 9 | 4V1-11633-00 | .PIN, piston | 1 | |
| 10 | 93450-13130 | .CIRCLIP | 2 | |
| 11 | 2VE-11630-F1 | PISTON ASSY | 1 | AP |
| 12 | 2VE-11636-00 | .PISTON (0.50MM O/S) | 1 | |
| 13 | 39K-11611-20 | .RING, piston | 1 | |
| 14 | 4V1-11633-00 | .PIN, piston | 1 | |
| 15 | 93450-13130 | .CIRCLIP | 2 | |
| 16 | 1LR-11650-00 | CONNECTING ROD ASSY | 1 | AP |
| 17 | 1LR-11651-00 | .ROD, connecting | 1 | |
| 18 | 93310-418M6 | .BEARING, cylindrical | 1 | |
| 19 | 4V0-11681-00 | .PIN, crank 1 | 1 | |
| 20 | 90209-18112 | .WASHER | 2 | |
| 21 | 93310-312M5 | .BEARING, cylindrical | 1 | |

NUMERICAL INDEX

| PART NO. | GRID NO. | PART NO. | GRID NO. | PART NO. | GRID NO. | PART NO. | GRID NO. | PART NO. | GRID NO. | PART NO. | GRID NO. |
|-----------------|----------|-----------------|----------|-----------------|----------|-----------------|----------|-----------------|----------|-----------------|----------|
| 56A-W0041-00 | D- 7 | 39K-12482-00 | B- 5 | 39K-14718-00 | B-10 | 39K-18512-00 | C- 2 | 58T-23110-L0 | C-11 | 10V-23416-01 | C-10 |
| 2HF-W0046-00 | D- 3 | 4V2-12494-00 | B- 5 | 1LR-14753-00 | B-10 | 4V0-18513-00 | C- 2 | | C-11 | 22W-23435-00-35 | C-10 |
| 1LR-W0047-00 | D- 3 | 353-13115-01 | B-11 | 3ML-14753-00 | B-10 | 5X5-18531-01 | C- 2 | 58T-23111-L0 | C-11 | 35P-23441-00 | C-10 |
| 51L-W0048-00 | D- 3 | 1LR-13565-00 | B- 6 | 565-14771-00 | B-10 | 5X5-18535-01 | C- 2 | | C-12 | 3MK-23485-00 | C-10 |
| 1LR-W0057-00 | D- 3 | 22W-13581-00 | B- 6 | 58T-1490J-00 | B- 8 | 22W-18540-00 | C- 2 | 47J-23118-00 | D-13 | 3MK-24110-00 | C-13 |
| 2HF-W1441-01 | B- 6 | 2HF-13610-01 | B- 6 | 2HF-15111-00 | B-11 | 2HF-21110-00-UJ | C- 4 | 58T-23118-L0 | C-11 | 5X7-2412F-00 | C-14 |
| 39K-W2535-00 | D- 4 | 2HF-13613-00 | B- 6 | 5X2-15113-01 | B-11 | 3MK-21511-00 | C- 5 | | C-12 | 1LR-24157-00 | C-13 |
| 2VE-11111-00 | B- 2 | 58T-13616-01 | B- 6 | 2VE-15121-00 | B-11 | 2VE-21523-00 | C- 5 | 4H7-23119-00 | C-11 | 22W-24158-00 | C-13 |
| 1LR-11181-00 | B- 2 | 1LR-13621-10 | B- 6 | 4J2-15363-00 | B-12 | 3MK-21611-00 | C- 5 | | C-12 | 59V-24173-00 | C-13 |
| 2HF-11311-01 | B- 2 | 1LR-14101-00 | B- 8 | 3AK-15383-01 | B-15 | 39K-21620-01 | C- 5 | 22W-2312K-00 | C-11 | 22W-24181-00 | C- 6 |
| 4V0-11351-00 | B- 2 | 31J-14103-00 | B- 8 | 2VE-15411-00 | B-12 | 4V0-21621-00 | C- 5 | | C-11 | 22W-24183-00 | C-14 |
| 1LR-11400-00 | B- 3 | 10W-14104-00 | B- 9 | 2VE-15421-00 | B-12 | 3MK-2165A-10 | C- 5 | 22W-23125-L0 | C-11 | 3MK-24244-10 | C-14 |
| 39K-11412-00 | B- 3 | 22W-14106-00 | B- 8 | 22W-15451-10 | B-12 | 3MK-21711-00 | C- 6 | | C-12 | 3MK-24245-10 | C- 6 |
| 39K-11422-00 | B- 3 | 23L-14107-25 | B- 8 | 5X2-15462-00 | B-12 | 1LR-2172A-00 | C- 6 | 2HF-23126-L0-35 | C-11 | 3MK-24250-10 | C- 6 |
| 39K-11611-00 | B- 3 | 2X6-14112-25 | B- 8 | 4V0-15618-00 | B-13 | 3MK-21721-00-98 | C- 6 | 122-23129-00 | C-11 | 1LR-24311-00 | C-14 |
| | D-14 | 2X6-14112-30 | B- 8 | 22W-15620-00 | B-13 | 3MK-2173E-10 | C- 6 | | C-12 | 2VE-24500-01 | C-13 |
| 39K-11611-10 | B- 3 | 2X6-14112-35 | B- 8 | 4V0-15621-00 | B-13 | 3MK-2173F-10 | C- 6 | 2HF-23136-L0-35 | C-11 | 4X8-24512-00 | C-13 |
| | D-14 | 3R1-14115-00 | B- 8 | 4V0-15641-00 | B-13 | 1LR-2174F-00 | C- 4 | 39K-23141-00 | C-11 | 4X8-24534-00 | C-13 |
| 39K-11611-20 | B- 3 | 2A6-14126-00 | B- 9 | 4V0-15651-00 | B-13 | 3MK-2174I-00 | C- 6 | | C-12 | 5X7-24611-01 | C-13 |
| | D-14 | 248-14131-00 | B- 9 | 22W-15660-00 | B-13 | 22W-21791-00 | C- 6 | 39K-23141-20 | D-13 | 5X7-24612-00 | C-13 |
| 2VE-11630-A1 | D-14 | 3R1-14141-50 | B- 8 | 4V0-15664-00 | B-13 | 2VE-22110-00 | C- 7 | 583-23142-00 | C-11 | 3MK-24731-00 | C-15 |
| 2VE-11630-E1 | D-14 | 3R1-14141-52 | B- 8 | 1LR-16111-00 | B-14 | 22W-22124-00 | C- 7 | | C-12 | 3MK-24770-00 | C-15 |
| 2VE-11630-F1 | D-14 | 3R1-14141-54 | B- 8 | 1LR-16150-00 | B-14 | 401-22127-00 | C- 7 | 22W-23144-L0 | C-11 | 1LR-25104-00 | D- 2 |
| 2VE-11631-00-94 | B- 3 | 260-14142-30 | B- 8 | 4V0-16154-00 | B-14 | 401-22128-01 | C- 7 | | C-12 | 1LR-25111-00-98 | D- 2 |
| | D-14 | 260-14142-35 | B- 8 | 21V-16321-00 | B-14 | 22W-22129-00 | C- 8 | 22W-23145-L0 | C-11 | 462-25118-00 | D- 2 |
| 2VE-11631-00-95 | B- 3 | 260-14142-40 | B- 8 | 257-16324-00 | B-14 | | C- 9 | | C-12 | 4N0-25151-00 | D- 4 |
| 4V1-11633-00 | B- 3 | 137-14143-54-A1 | B- 8 | 1LR-16351-00 | B-14 | 5X6-22129-00 | C- 7 | 22W-23146-L0 | C-11 | 22W-25181-01 | D- 2 |
| | D-14 | 137-14143-56-A0 | B- 8 | 137-16356-00 | B-14 | 4V1-22141-00 | C- 7 | | C-12 | 1T1-25194-00 | D- 2 |
| | D-14 | 137-14143-58-A1 | B- 8 | 2X3-16357-00 | B-14 | 1LR-22151-00 | C- 7 | 509-23151-L0 | C-11 | 39K-25304-00 | D- 4 |
| | D-14 | 137-14143-60-A0 | B- 8 | 1LR-16371-00 | B-14 | 39K-2217A-00 | C- 7 | | C-12 | 39K-25311-00-98 | D- 4 |
| 2VE-11635-00 | B- 3 | 132-14146-00 | B- 9 | 58T-16382-00 | B-14 | 22W-2217F-00 | C- 8 | 22W-23153-L0 | C-11 | 39K-25321-00-98 | D- 4 |
| | D-14 | 39K-14153-00 | B- 8 | 2VE-17121-00 | B-15 | 30X-22178-00 | C- 4 | | C-12 | 51L-2533A-00 | D- 5 |
| 2VE-11636-00 | B- 3 | 2A6-14158-00 | B- 9 | 2VE-17131-00 | B-15 | 4V4-22184-00 | C- 4 | 22W-23157-L0 | C-11 | 3R0-25355-11 | D- 4 |
| | D-14 | 3X3-14169-00 | B- 8 | 2VE-17151-00 | B-15 | 22W-22189-00 | C- 9 | | C-12 | 1LR-25381-01 | D- 4 |
| 1LR-11650-00 | D-14 | 4U5-14171-00 | B- 9 | 2VE-17161-00 | B-15 | 39K-22199-00 | C- 7 | 509-23158-L0 | C-11 | 2HF-25388-00 | D- 5 |
| 1LR-11651-00 | B- 3 | 304-14184-00 | B- 8 | 4V0-17211-00 | B-15 | 2HF-22201-00 | C- 9 | | C-12 | 5X2-25394-00 | D- 4 |
| | D-14 | 314-14185-00 | B- 8 | 39K-17221-00 | B-15 | 3MK-22210-00-PO | C- 9 | 39K-23170-L0 | C-11 | 39K-25444-01 | D- 4 |
| 4V0-11681-00 | B- 3 | 127-14186-00 | B- 8 | 4V0-17231-00 | B-15 | 3ML-22210-00-PO | C- 9 | | C-11 | 39K-25446-00 | D- 4 |
| | D-14 | 53V-14196-00 | B- 8 | 39K-17241-00 | B-15 | 2HF-22212-00-PO | C- 9 | 39K-23173-00 | C-11 | 39K-25448-00 | D- 4 |
| 2VE-12422-00 | B- 4 | 2HF-14451-00 | B- 6 | 39K-17251-01 | B-15 | 2HF-22212-20-PO | D-13 | | C-11 | 39K-25450-01 | D- 4 |
| 5X2-12428-10 | B- 4 | 2HF-14452-00 | C- 6 | 39K-17261-01 | B-15 | 2HF-22212-30-PO | D-13 | 278-23181-50 | C-11 | 3MK-2580T-00 | D- 3 |
| 2VE-12446-00 | B- 5 | 2HF-14453-00 | B- 6 | 2VE-17411-00 | B-15 | 22W-22214-01 | C- 9 | | C-12 | 1LR-25831-00 | D- 3 |
| 22W-12450-00 | B- 4 | 39K-14457-00 | B- 6 | 22W-17421-00 | B-15 | 2X6-22216-00 | C- 9 | 58T-23184-L0 | C-11 | 34V-25845-00 | D- 3 |
| 1LR-12459-00 | B- 4 | 2HF-14458-00 | B- 6 | 164-17427-00-06 | B-15 | 22W-22223-00 | C- 9 | | C-12 | 2VN-25852-00 | D- 7 |
| 2HF-12460-00 | B- 5 | 2HF-14459-00 | B- 6 | 22W-18101-01 | C- 3 | 24X-22261-00 | C- 9 | 39K-23340-L0 | C-12 | 56A-25854-00 | D- 7 |
| 22W-12462-00 | B- 5 | 2HF-14462-00 | B- 6 | 2HF-18110-00 | C- 3 | 24X-22262-00 | C- 9 | 3R4-23389-00 | C-10 | 56A-25867-00 | D- 7 |
| 22W-12463-00 | B- 5 | 2HF-14477-00 | B- 6 | 2HF-18140-00 | C- 2 | 2HF-23102-L0 | C-11 | 122-23411-00 | C-10 | 2VN-25870-00 | D- 7 |
| 39K-12481-00 | B- 5 | 2HF-14610-01 | B-10 | 4V0-18511-00 | C- 2 | 2HF-23103-L0 | C-11 | 122-23412-00 | C-10 | 2HF-25872-00 | D- 7 |

NUMERICAL INDEX

| PART NO. | GRID NO. | PART NO. | GRID NO. | PART NO. | GRID NO. | PART NO. | GRID NO. | PART NO. | GRID NO. | PART NO. | GRID NO. |
|-----------------|----------|-------------|----------|-------------|----------|-------------|----------|-------------|----------|-------------|----------|
| 56A-25919-00 | D- 3 | 90109-06799 | D-11 | 90201-100E9 | C- 7 | 90387-202F0 | B-14 | 91311-06016 | C-10 | 93210-14104 | B-12 |
| 56A-25919-10 | D- 3 | 90109-08666 | D- 8 | 90201-10118 | D- 7 | 90387-22647 | D- 6 | 91401-20015 | D- 8 | 93210-16275 | B- 5 |
| 56A-25926-00 | D- 3 | 90109-08706 | D- 4 | 90201-10144 | D- 9 | 90401-10034 | D- 7 | 91401-25015 | D- 8 | 93210-18288 | B- 8 |
| 5R2-25937-00 | D- 3 | 90109-100E4 | C- 7 | 90201-102A2 | D- 8 | 90430-06016 | B-12 | | D- 8 | 93210-40745 | B-10 |
| 56A-25937-00 | D- 3 | 90109-10688 | C- 8 | 90201-10614 | B- 4 | 90430-06166 | B- 4 | 92516-06030 | B-12 | 93306-00105 | D- 2 |
| 2HF-26111-00-35 | D- 6 | 90109-10689 | C- 8 | 90201-10774 | D-10 | 90430-12207 | B-11 | 92701-06012 | B-15 | | D- 4 |
| 1LX-26241-01 | D- 6 | | C- 9 | 90201-12M34 | B-13 | 90445-08376 | B-11 | 92901-06200 | D- 8 | 93306-00108 | D- 4 |
| 1LX-26242-01 | D- 6 | 90109-10729 | C- 9 | 90201-120A5 | C- 7 | 90445-09304 | C-13 | 92901-06600 | B-10 | 93306-20333 | B-15 |
| 22W-26243-00 | D- 6 | 90116-08402 | B- 2 | 90201-122A7 | D- 2 | 90445-164E1 | B- 6 | | | 93306-20401 | B-15 |
| 5X2-2628H-01 | D- 6 | 90119-06063 | C- 5 | 90201-124G9 | C- 7 | 90450-22017 | B- 5 | | D-10 | 93306-20454 | B- 3 |
| 5X2-26281-00 | D- 6 | 90119-06085 | B- 7 | 90201-12631 | B-13 | 90450-28014 | B- 5 | 92901-06700 | C- 4 | 93306-30101 | D- 4 |
| 322-26282-00 | D- 6 | 90122-06013 | B- 6 | 90201-14411 | B-14 | 90460-43053 | B- 6 | 92902-04100 | B- 8 | 93310-312M5 | B- 3 |
| 22W-26311-00 | D- 6 | 90123-08013 | D- 6 | 90201-154A1 | B-13 | 90460-51059 | B- 6 | | D-10 | | D-14 |
| 39K-26335-01 | D- 6 | 90149-06011 | C-13 | 90201-191J4 | C- 7 | 90464-20031 | D-11 | | D-10 | 93310-418M6 | B- 3 |
| 382-26372-01 | D- 6 | 90149-06153 | D-11 | 90202-05193 | B-10 | 90465-14242 | C-10 | | D-10 | | D-14 |
| 56A-26372-01 | D- 7 | 90149-06248 | D- 3 | | C-13 | 90467-08004 | B- 5 | 92902-12600 | D- 8 | 93315-21429 | B-14 |
| 1LR-27211-00 | D- 8 | 90159-05011 | B-14 | 90208-12015 | B-14 | 90467-10008 | C-14 | 92906-05100 | D-11 | 93315-31502 | B-15 |
| 39K-27231-00 | D- 8 | 90159-05101 | C- 6 | | B-14 | 90467-16063 | B- 6 | 92906-06600 | B-12 | 93317-11245 | B-15 |
| 22W-27311-00-R4 | D- 8 | 90159-06013 | C- 6 | 90209-06096 | B- 6 | 90468-26046 | B-13 | | D- 7 | 93317-21746 | C- 7 |
| 22W-27321-00 | D- 8 | 90159-06032 | C- 6 | 90209-06187 | C- 5 | 90480-12053 | C- 6 | 92990-03100 | B- 6 | 93332-00059 | C-10 |
| 22W-27411-01-90 | D- 8 | 90159-06033 | B- 6 | 90209-18112 | B- 3 | 90480-15064 | B- 5 | 92990-06100 | B- 5 | 93410-20038 | B-15 |
| 22W-27421-01-90 | D- 8 | 90159-06060 | C-10 | | D-14 | 90480-17359 | C- 9 | | B- 6 | 93430-08007 | B-13 |
| 5X2-27422-01-33 | D- 8 | 90170-06010 | D-11 | 90240-06040 | D- 8 | 90480-18290 | C-13 | | B-10 | 93440-15012 | B-15 |
| 10V-28135-00 | C- 4 | 90175-06016 | D- 8 | 90249-08195 | D- 8 | | C-13 | | C- 5 | 93440-17064 | B-15 |
| 39K-82310-40 | D-12 | 90176-08026 | B- 2 | | D- 8 | 90501-10245 | D- 8 | | C- 6 | 93440-42101 | C- 9 |
| 2TV-82370-00 | D-12 | 90179-08148 | D- 6 | 90249-12008 | D- 8 | 90501-10312 | D-11 | | C- 6 | 93450-13130 | B- 3 |
| 5X1-82519-01 | D-11 | 90179-12244 | B-14 | 90250-06013 | C- 2 | 90501-12081 | B-13 | | C-13 | | D-14 |
| 38V-82911-00 | D-11 | 90179-12335 | B-14 | 90280-03045 | B- 3 | 90501-204A0 | B-14 | | C-13 | | D-14 |
| 38V-82913-00 | D-11 | 90179-25033 | C-10 | 90282-05001 | B-14 | 90504-03033 | B- 6 | | C-13 | | D-14 |
| 23X-83912-00 | D-11 | 90185-10120 | C- 7 | 90338-07011 | B-11 | 90506-14081 | D- 4 | | C-13 | 93503-16010 | B-14 |
| 55Y-83922-00 | D-11 | | C- 8 | 90340-12097 | B-11 | 90506-26270 | D- 8 | | C-14 | | C-10 |
| 25G-83936-01 | D-11 | | C- 8 | 90380-12094 | C- 7 | 90507-20030 | B-10 | | D-12 | 93507-32031 | B-13 |
| 437-83936-00 | C- 5 | | C- 9 | 90380-16109 | C- 7 | 90508-18463 | B-14 | 92990-08100 | C-12 | 93603-22028 | B- 4 |
| 437-83936-01 | B- 5 | | C- 9 | 90381-08002 | B- 4 | 90508-20023 | D- 8 | 92990-10600 | C- 8 | 93604-10011 | B- 4 |
| | D-11 | 90185-12046 | D- 2 | 90383-16023 | C- 8 | | D- 9 | | C- 8 | 93608-30152 | C- 3 |
| | D-11 | 90185-12119 | C- 7 | | C- 8 | 90508-26464 | B-13 | | C- 9 | 93822-12012 | B-15 |
| 23X-83976-00 | D-11 | 90201-06067 | C- 7 | 90384-18190 | C- 7 | 90508-26561 | C- 2 | | C- 9 | 93822-13024 | B-15 |
| 1LR-85510-20 | D-10 | 90201-06072 | C-13 | 90385-17042 | C- 7 | 90508-32468 | D- 8 | 93102-20143 | B-15 | 93822-14037 | B-15 |
| 39K-85512-20 | D-10 | | C-13 | 90387-07392 | B- 5 | 90508-32642 | C- 3 | 93102-20231 | B- 3 | 93822-15065 | B-15 |
| 1LR-85540-20 | D-10 | 90201-061H3 | B- 5 | 90387-07598 | C-13 | 90560-12257 | D- 2 | 93103-10147 | B- 4 | 94107-177R6 | D- 2 |
| 2A7-85546-00 | D-10 | 90201-065F3 | C- 5 | | C-13 | 90560-12320 | D- 4 | 93103-28126 | B- 3 | 94109-147R7 | D- 4 |
| 39K-85550-20 | D-10 | 90201-06571 | C- 6 | 90387-105G9 | C- 8 | 91001-08020 | C- 5 | 93106-18013 | D- 2 | 94208-17255 | D- 2 |
| 39K-85580-20 | D-10 | | C- 6 | 90387-106G0 | C- 8 | 91001-08025 | C- 5 | 93106-20002 | D- 4 | 94232-14174 | D- 4 |
| 90101-06278 | D- 4 | 90201-067A0 | C- 4 | | C- 9 | 91001-08035 | C-10 | 93109-12012 | C- 3 | 94327-14076 | D- 4 |
| 90101-08699 | D- 5 | 90201-08085 | B- 4 | 90387-126F8 | D- 2 | 91011-08125 | C- 4 | 93109-14021 | B-14 | 94332-17112 | D- 2 |
| 90105-14102 | C-10 | 90201-08087 | B- 2 | 90387-126R2 | D- 5 | 91011-08135 | C- 4 | 93109-15001 | B-13 | 94414-17428 | D- 2 |
| 90109-063F7 | C- 2 | 90201-081A6 | D- 4 | 90387-127J7 | C- 7 | 91021-08030 | C-10 | 93109-16035 | C- 8 | 94416-14375 | D- 4 |
| 90109-06577 | D-11 | 90201-08730 | C- 5 | 90387-127J8 | C- 7 | 91021-08045 | C- 7 | 93109-17048 | C- 7 | 94580-24112 | D- 5 |

NUMERICAL INDEX

| PART NO. | GRID NO. | PART NO. | GRID NO. | PART NO. | GRID NO. | PART NO. | GRID NO. | PART NO. | GRID NO. |
|-------------|----------|-------------|----------|----------|----------|----------|----------|----------|----------|
| 94680-24001 | D- 5 | 98506-05016 | D- 6 | | | | | | |
| 94702-00324 | B- 2 | 98506-05018 | D-11 | | | | | | |
| 94702-00325 | B- 2 | 98506-06008 | B-12 | | | | | | |
| 95021-06016 | C-10 | 98506-06016 | B- 5 | | | | | | |
| 95023-08012 | C- 4 | 98506-06025 | B-12 | | | | | | |
| 95026-06020 | B- 6 | 98506-06040 | B-12 | | | | | | |
| 95026-06025 | C- 7 | 98506-06060 | B- 4 | | | | | | |
| 95303-06600 | D- 4 | 98511-04016 | B- 8 | | | | | | |
| 95303-06700 | D- 8 | 98511-04025 | D-10 | | | | | | |
| 95303-08700 | D- 5 | 98516-06020 | B- 4 | | | | | | |
| | D- 8 | 98580-03008 | B- 6 | | | | | | |
| 95311-10600 | D-10 | 98580-04008 | D-10 | | | | | | |
| 95601-05100 | B- 6 | 98706-04012 | D- 6 | | | | | | |
| 95601-08200 | C- 4 | | D- 7 | | | | | | |
| | C- 5 | 98903-06010 | C- 6 | | | | | | |
| | C- 7 | 98906-06008 | B-10 | | | | | | |
| 95601-12200 | D- 4 | 98980-06020 | C-13 | | | | | | |
| 95611-08100 | D- 4 | 99001-09600 | D- 8 | | | | | | |
| 95616-06100 | D-11 | 99006-10600 | C- 3 | | | | | | |
| | D-11 | 99009-12400 | B-13 | | | | | | |
| 95702-10500 | B-13 | 99009-18400 | B-15 | | | | | | |
| 95811-08035 | D- 3 | 99080-07600 | B- 4 | | | | | | |
| 95811-10016 | D- 8 | 99510-10114 | B- 2 | | | | | | |
| 95826-06020 | B- 4 | 99510-12016 | B-11 | | | | | | |
| 97001-06030 | B- 5 | 99530-10014 | B-12 | | | | | | |
| 97003-06012 | C-13 | | | | | | | | |
| | C-13 | | | | | | | | |
| | D- 8 | | | | | | | | |
| 97011-06020 | C- 3 | | | | | | | | |
| 97011-10022 | D- 9 | | | | | | | | |
| 97013-06012 | B- 6 | | | | | | | | |
| 97016-06025 | D- 7 | | | | | | | | |
| 97021-06030 | C-13 | | | | | | | | |
| | C-13 | | | | | | | | |
| 97313-06016 | B-10 | | | | | | | | |
| | C- 4 | | | | | | | | |
| 97313-08040 | C-12 | | | | | | | | |
| 98501-04006 | C- 9 | | | | | | | | |
| 98501-06012 | B-11 | | | | | | | | |
| | C-14 | | | | | | | | |
| 98501-06020 | D-12 | | | | | | | | |
| 98501-06035 | B-11 | | | | | | | | |
| 98502-06016 | C- 5 | | | | | | | | |
| | C- 6 | | | | | | | | |
| | C- 6 | | | | | | | | |
| | D-10 | | | | | | | | |
| 98503-03008 | C-13 | | | | | | | | |
| 98503-04014 | D-10 | | | | | | | | |
| 98503-06045 | B-11 | | | | | | | | |